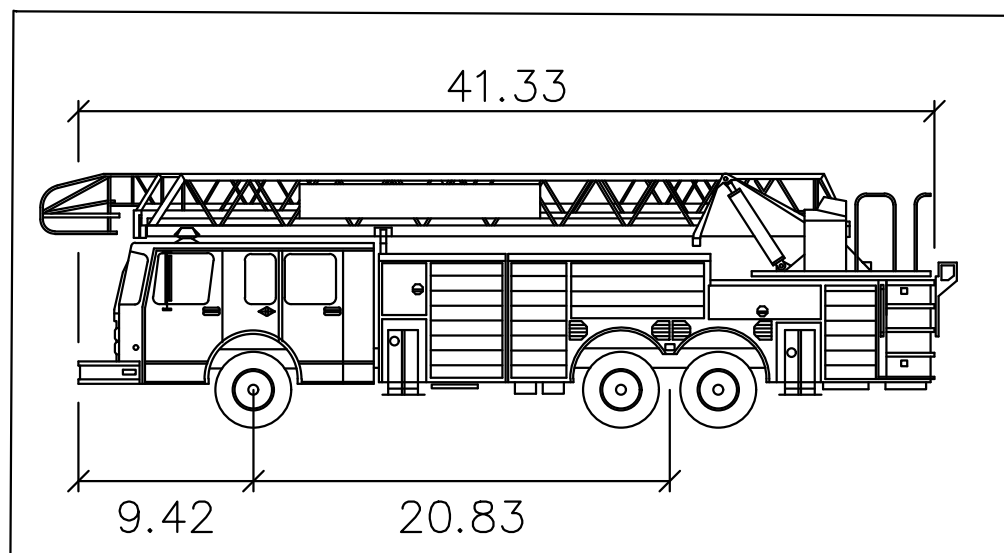


Plotted By: Poudel, Samiksha, Sheet: Sst-Kha, Layout: Autoturn 4, January 23, 2023 08:42:46pm, K:\BOS_TPT\112614000_Walpole West St Village at Burns\CAD\PlanSheets\Autoturn Right Turn to roundabout.dwg
 This document, together with the concepts and designs presented herein, is intended only for the specific purpose and client for which it was prepared. Reuse of and improper reliance on this document without written authorization and adaptation by Kimley-Horn and Associates, Inc. shall be without liability to Kimley-Horn and Associates, Inc.



Walpole Fire Truck
 feet
 Width : 8.33
 Track : 8.33
 Lock to Lock Time : 6.0
 Steering Angle : 42.0

TURNING MOMENTS LEGEND:
— TIRE LINES
— FRONT BUMPER LINES

REFERENCE:
GLM Engineering Consultants, Inc.
AMENDED SITE DEVELOPMENT PLAN
A COMPREHENSIVE PERMIT M.G.L.c. 40B

Kimley-Horn <small>© 2022 KIMLEY-HORN AND ASSOCIATES, INC. 404 WYMAN STREET, SUITE 385, WALTHAM, MA 02451 PHONE: 781-328-8576 WWW.KIMLEY-HORN.COM</small>	THE RESIDENCES AT BURNS AVENUE PREPARED FOR WALLSTREET DEVELOPMENT CORP. P.O. BOX 272 WESTWOOD, MA 02090 MASSACHUSETTS WALPOLE	AUTOTURN FIRE TRUCK PATH UNION ST TO BROOK LANE	KHA PROJECT 112614000 DATE 02/28/2022 SCALE AS SHOWN DESIGNED BY DRAWN BY CHECKED BY BS	REVISIONS No. DATE
SHEET NUMBER	4			