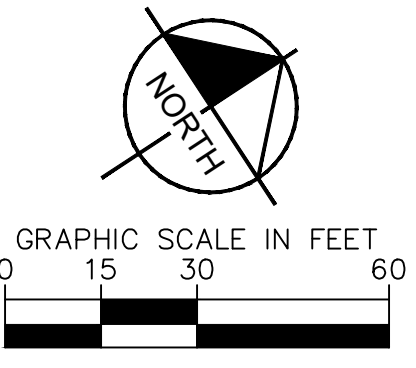
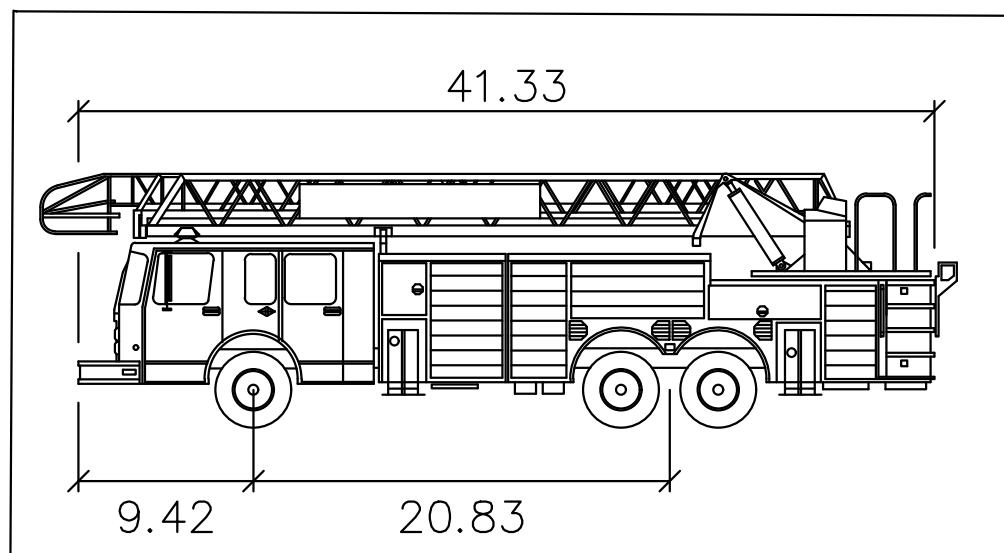


Plotted By: Poudel, Samiksha, Sheet: Sst-Kha, Layout: Autoturn 4, January 23, 2023 05:53:21pm, K:\BOS\_TPT\112614000\_Walpole West St Village at Burns\CAD\PlanSheets\Autoturn East-Singles.dwg  
 This document, together with the concepts and designs presented herein, is intended only for the specific purpose and client for which it was prepared. Reuse of and improper reliance on this document without written authorization and adaptation by Kimley-Horn and Associates, Inc. shall be without liability to Kimley-Horn and Associates, Inc.



**SCENARIO 1**  
ENTERING FROM EAST



**Walpole Fire Truck**

	feet
Width	: 8.33
Track	: 8.33
Lock to Lock Time	: 6.0
Steering Angle	: 42.0

**TURNING MOMENTS LEGEND:**

- TIRE LINES
- FRONT BUMPER LINES

**REFERENCE:**  
**GLM** Engineering Consultants, Inc.  
 AMENDED SITE DEVELOPMENT PLAN  
 A COMPREHENSIVE PERMIT M.G.L.c. 40B

<b>Kimley-Horn</b>	© 2022 KIMLEY-HORN AND ASSOCIATES, INC. 404 WYMAN STREET, SUITE 385, WALTHAM, MA 02451 PHONE: 781-328-8576 WWW.KIMLEY-HORN.COM			
KHA PROJECT 112614000	DATE 02/28/2022	SCALE AS SHOWN	DESIGNED BY SP	CHECKED BY BS
<b>AUTOTURN        FIRE TRUCK PATH        UNION ST TO        BROOK LANE</b>				
THE RESIDENCES AT BURNS AVENUE PREPARED FOR WALLSTREET DEVELOPMENT CORP. P.O. BOX 272 WESTWOOD, MA 02090 MASSACHUSETTS				
SHEET NUMBER <b>1</b>				
REVISIONS No. DATE				