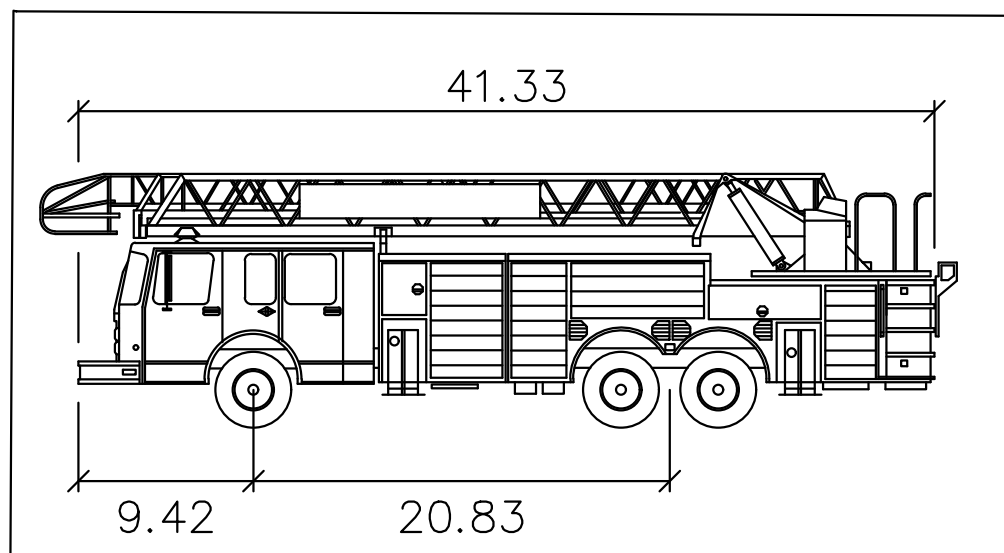
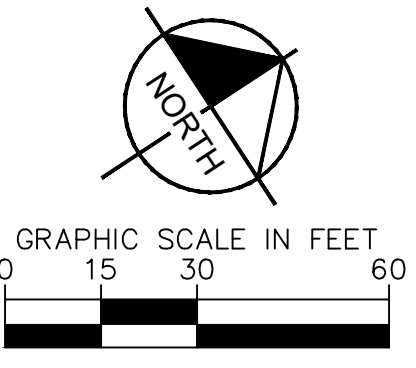
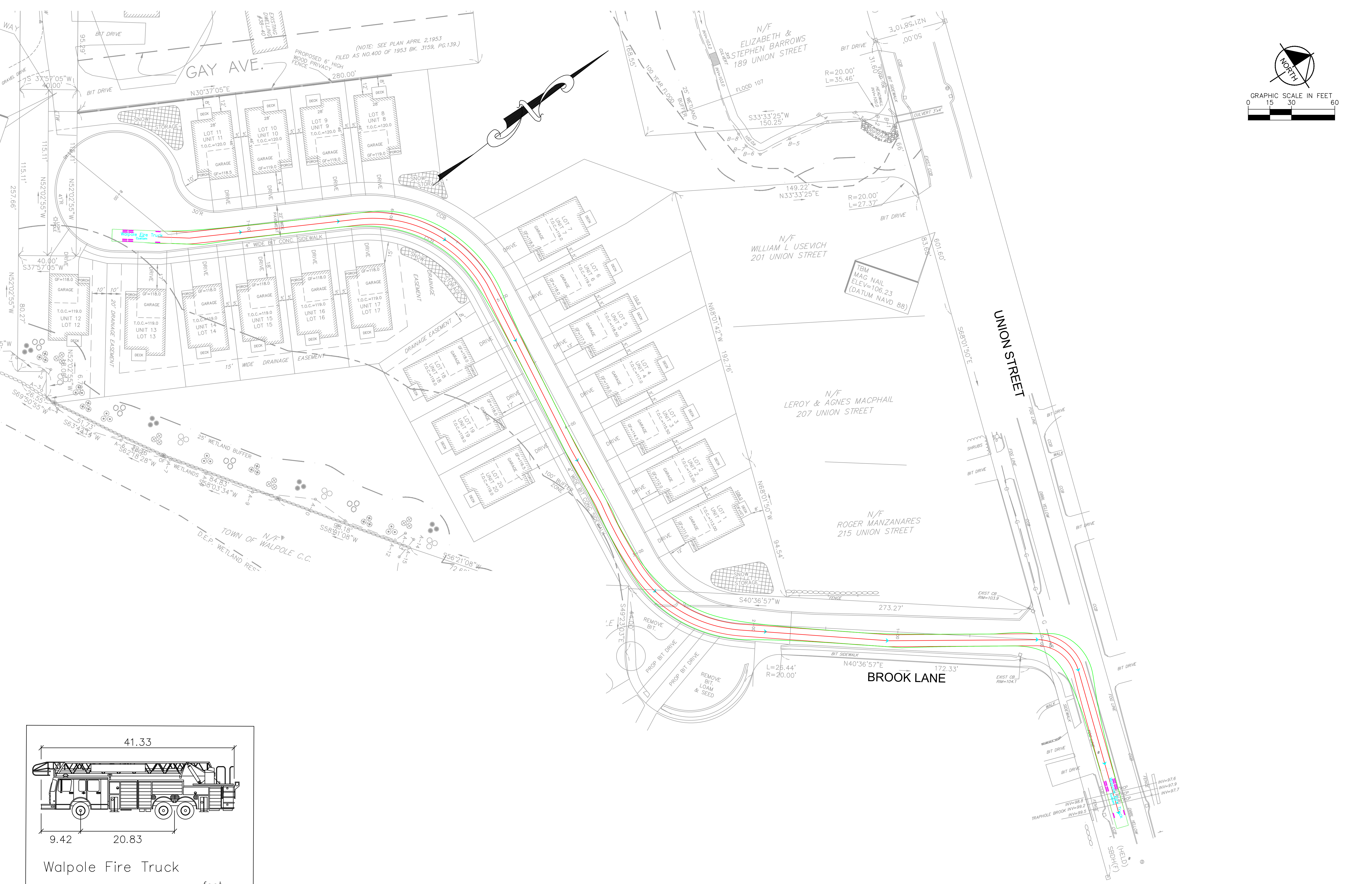


Plotted By: Poudeil, Samiksha, Sheet: Sst-Kha_Layout/Autoturn 4 January 23, 2023 08:37:23pm. K:\BOS_TPT\0112614000_Walpole_Village at Burns\CAD\PlanSheets\Autoturn_Singles Right Turn Exit Union St.dwg
 This document, together with the concepts and designs presented herein, is intended only for the specific purpose and client for which it was prepared. Reuse of and improper reliance on this document without written authorization and adaptation by Kimley-Horn and Associates, Inc. shall be without liability to Kimley-Horn and Associates, Inc.



Walpole Fire Truck
 Width : 8.33
 Track : 8.33
 Lock to Lock Time : 6.0
 Steering Angle : 42.0

TURNING MOMENTS LEGEND:
— TIRE LINES
— FRONT BUMPER LINES

Kimley & Horn	© 2022 KIMLEY-HORN AND ASSOCIATES, INC. 404 WYMAN STREET, SUITE 385, WALTHAM, MA 02451 PHONE: 781-328-8576 WWW.KIMLEY-HORN.COM			
KHA PROJECT	112614000	DATE	02/28/2022	SCALE
AS SHOWN		DESIGNED BY		DRAWN BY
CHECKED BY	BS	SP		BS
AUTOTURN FIRE TRUCK PATH FROM BROOK LANE TO UNION ST				
THE RESIDENCES AT BURNS AVENUE	PREPARED FOR WALLSTREET DEVELOPMENT CORP. P.O. BOX 272 WESTWOOD, MA 02090 MASSACHUSETTS			
SHEET NUMBER	3			

REFERENCE:
GLM Engineering Consultants, Inc.
AMENDED SITE DEVELOPMENT PLAN
A COMPREHENSIVE PERMIT M.G.L.c. 40B