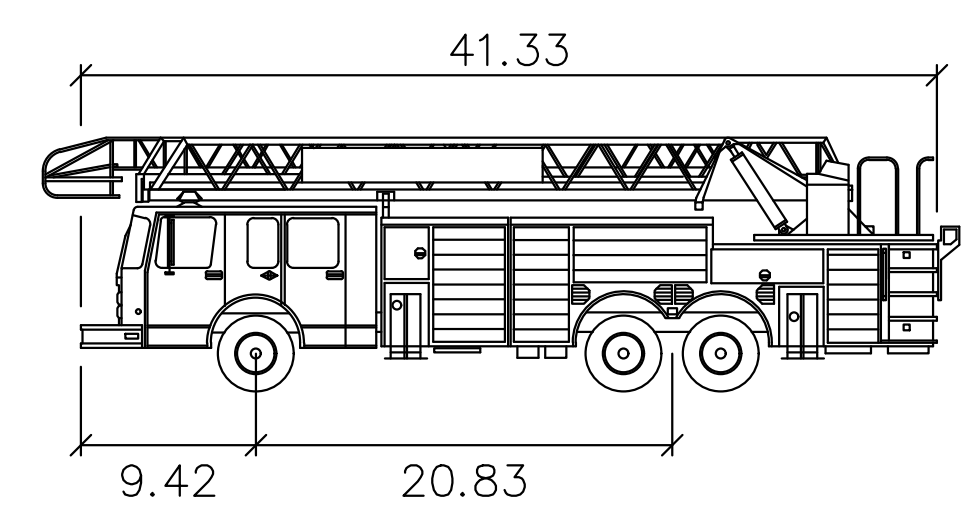
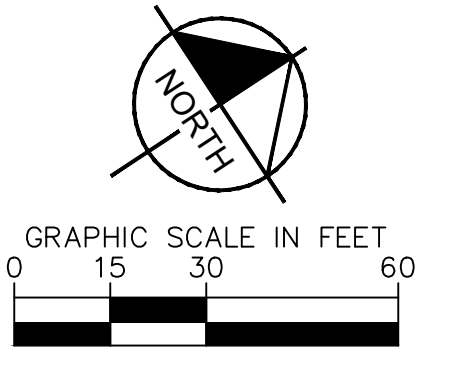


Plotted By: Pouelle, Samiksha Sheet Set: KHA Layout: Autoturn 2 February 28, 2022 01:04:55pm Kimley-Horn.com AT: BOS/BOS TPT0112614000 Walpole Wall St Village at Burns/CAD/Plan/Sheets/Autoturn 2.dwg
 This document, together with the concepts and design presented herein, is intended only for the specific purpose and client for which it was prepared. Reuse of and improper reliance on this document without written authorization and adaptation by Kimley-Horn and Associates, Inc. shall be without liability to Kimley-Horn and Associates, Inc.



Walpole Fire Truck
 Width : 8.33 feet
 Track : 8.33 feet
 Lock to Lock Time : 6.0
 Steering Angle : 42.0

TURNING MOMENTS LEGEND:
— TIRE LINES
— FRONT BUMPER LINES

No.	REVISIONS	DATE	BY

Kimley-Horn
 © 2022 KIMLEY-HORN AND ASSOCIATES, INC.
 404 WYMAN STREET, SUITE 385, WALTHAM, MA 02451
 PHONE: 781-328-8576
 WWW.KIMLEY-HORN.COM

KHA PROJECT: 112614000
 DATE: 02/28/2022
 SCALE: AS SHOWN
 DESIGNED BY: [Signature]
 DRAWN BY: SP
 CHECKED BY: BS

**AUTOTURN
 FIRE TRUCK PATH
 BURNS AVE. TO
 UNION STREET**

**THE RESIDENCES AT BURNS
 AVENUE**
 PREPARED FOR
 WALLSTREET DEVELOPMENT CORP.
 P.O. BOX 272
 WESTWOOD, MA 02090
 MASSACHUSETTS
 WALPOLE

REFERENCE:
GLM Engineering Consultants, Inc.
AMENDED SITE DEVELOPMENT PLAN
A COMPREHENSIVE PERMIT M.G.L.c. 40B