



**Date: Nov 7, 2023**

Exposure  
850 Summer Street  
Boston MA 02127  
Phone: (617) 269-9900  
Fax:

Job Name  
**Coneco Building, LLC - 4 First Street**  
ESS MA/RI23-107821  
Bridgewater MA

Bid Date  
Nov 2, 2023

Submittal Date  
Nov 7, 2023



# Transmittal

Exposure  
850 Summer Street  
Boston MA 02127  
Phone: (617) 269-9900  
**From: Sam Johnson**

**Project** Coneco Building, LLC - 4 First Street  
**Quote#** ESS MA/RI23-107821  
**Location** Bridgewater MA  
Contact:

ATTACHED WE ARE SENDING YOU 1 COPY OF THE FOLLOWING ITEM:

- |                                   |  |        |
|-----------------------------------|--|--------|
| <input type="checkbox"/> Drawings | <input type="checkbox"/> Specifications        | Other: |
| <input type="checkbox"/> Prints   | <input type="checkbox"/> Information           |        |
| <input type="checkbox"/> Plans    | <input checked="" type="checkbox"/> Submittals |        |

THESE ARE TRANSMITTED FOR:

- |  |   |                                 |
|--|---|---------------------------------|
| <input type="checkbox"/> Prior Approval        | <input type="checkbox"/> Resubmittal for Approval | <input type="checkbox"/> Record |
| <input checked="" type="checkbox"/> Approval   | <input type="checkbox"/> Corrections              | Bids due on:                    |
| <input type="checkbox"/> Approval as Submitted | <input type="checkbox"/> Your Use                 | Other:                          |
| <input type="checkbox"/> Approval as Noted     | <input type="checkbox"/> Review and Comment       |                                 |

Type	MFG	Part
	Amerlux	<a href="#">CSL-P-1M-30-T4-TBK</a>
	<b>Item Note:</b>	LEAD TIME 6 WEEKS ARO
	Amerlux	<a href="#">APQ94-10-TBK / APQ90-555-0004</a>
	<b>Item Note:</b>	LEAD TIME 6 WEEKS ARO

# COACH STYLE LANTERN

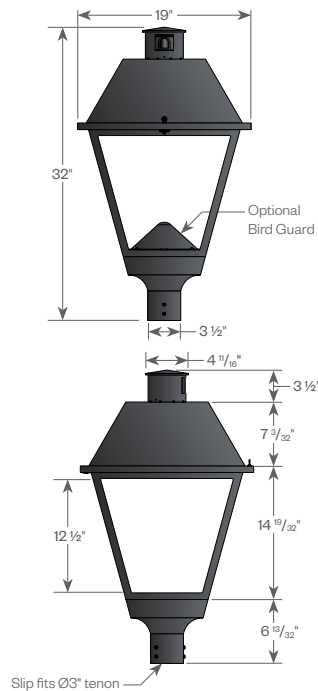
## Post Top Mount

**Features**

The Coach Style Lantern - Post Top (CSL-P) luminaire is a classically styled post-top lantern that offers a choice of several optical systems. Optional controls available.

**Product Overview**

Wattage:	24W, 44W, 60W, 79W
Lumen Output :	9,374 lm (79W, T2, 4000K)
Color Temp:	3000K, 4000K
Dimming:	0-10V dimming
Luminaire Weight (approx.):	18 lbs (8.1 kg)
Shipping Weight (approx.):	24 lbs (10.8 kg)

**PROJECT:****TYPE:****Construction:**

Die-cast aluminum housing ensures rigidity and longevity in application. The rooftop casting is hinged to the cage and utilizes tool-less hardware for ease of installation and maintenance.

**Optical Module:**

The luminaire utilizes up to four IP66 sealed optical modules consisting of a high performance LED board with an acrylic (TIR) lens to deliver maximum spacing and uniformity. A choice of Type 2 (T2), Type 3 (T3), Type 4 (T4), or Type 5 (T5), IES distributions are available with the scalability to meet application criteria. Custom configurations available.

**Electrical:**

- 12 LEDs per module
- LED Board Drive Current 530mA (Custom drive currents available)
- Universal input voltage 120-277 VAC (50/60Hz)
- Operational Temp: -40°C/40°C
- Power consumption up to 79W
- Series wired 20kV/10kA surge protector (Per ANSI C82.77-5-2015)
- 0-10V dimming is standard
- A 347V/480V option is available
- DLC listed

**Light Distribution:**

- Type II (T2)
- Type III (T3)
- Type IV (T4)
- Type V (T5)

**CCT:**

- 3,000K (30)
- 4,000K (40)

**Photo Control:**

- A 3-pin twistlock photocell receptacle is standard.
- An optional rotatable 7-pin (7P) twistlock photocell receptacle is available.
  - The 3-pin Twistlock photocell is an accessory and must be specified (TW-PCL).

**Mounting:**

Slip fits Ø3" tenon

**Finish:**

- Durable thermoset polyester powdercoat finish in the following:
- Textured Black (TBK)
  - Classic Bronze (CLB)
  - Gloss Textured Bronze (GBZ)
  - Gloss Textured Black (GTB)

**Optional Lens:**

- Textured Acrylic (TA)

**Accessories:**

- Bird Guard (BG)
- Backlight Shield (BLS) (available for T2, T3 & T4 distributions)
- Twistlock Photocell (TW-PCL)
- Shorting Cap (to bypass receptacle) (SC)
- Wireless control option

**EPA: 1.61**

(2.77 with optional lens)



Certain Restrictions Apply for IDA

**Job Name:**

Coneco Building, LLC - 4 First Street

**Catalog Number:**

CSL-P-1M-30-T4-TBK

**Type:**

ESS MA/RI23-107821

Notes: LEAD TIME 6 WEEKS ARO

# COACH STYLE LANTERN

Post-Top Mount

**PROJECT:****TYPE:****Ordering Information**

CSL-P

**1****2****3****4****5****6****1****Model****CSL-P****2****LED Modules****1M - 1 Module**

2M - 2 Modules

3M - 3 Modules

4M - 4 Modules

**3****CCT****30 - 3,000K**

40\* - 4,000K

**4****Light Distribution**

T2 - Type 2

T3 - Type 3

**T4 - Type 4**

T5 - Type 5

**5****Finish****TBK - Textured Black**

CLB - Classic Bronze

GBZ - Gloss Textured Bronze

GTB - Gloss Textured Black

**6****Options/Accessories****347V/480V** - 347/480 Voltage

TA\* - Textured Acrylic Lens

BG - Bird Guard

BLS - Backlight Shield (available for T2, T3 &amp; T4 distributions)

TW-PCL - Twistlock Photocell (not available for use with SC option)

SC - Shorting Cap (to bypass receptacle) (not available for use with TW-PCL option)

7P- Optional 7 pin NEMA Receptacle

(to allow installation of a wireless control node for operation on the SmartSite or other control platform)

To meet IDA Dark Sky Fixture Seal of Approval  
**3000K CCT must be chosen, and no Textured  
 Acrylic (TA) option used.**

\* Not approved with 4000K & TA options.



# COACH STYLE LANTERN

Post-Top Mount



Coach Style Lantern - Post Top (CSL-P)

**PROJECT:**

**TYPE:**

**Power**

LED Modules	1M	2M	3M	4M
Power	24W	44W	60W	79W
Amperage Draw @ 120V (A)	0.2	0.36	0.50	0.65
Amperage Draw @ 277V (A)	0.08	0.15	0.21	0.28

**Performance Chart**

Driver Output	System Watts	Light Distribution	CCT	Lumens*	Bug Rating	Lumens with TA Lens		
1M	24W	T2	3,000K	2,215	1-0-1	2,060		
			4,000K	2,395	1-0-1	2,227		
		T3	3,000K	2,234	1-0-1	2,078		
			4,000K	2,416	1-0-1	2,247		
		T4	3,000K	2,161	1-0-1	2,010		
			4,000K	2,336	1-0-1	2,228		
		T5	3,000K	2,257	1-0-0	2,099		
			4,000K	2,440	1-0-0	2,269		
		2M	44W	T2	3,000K	4,326	1-0-1	4,023
					4,000K	4,677	1-0-1	4,350
T3	3,000K			4,366	1-0-1	4,060		
	4,000K			4,720	1-0-1	4,390		
T4	3,000K			4,224	1-0-1	3,928		
	4,000K			4,567	1-0-2	4,247		
T5	3,000K			4,411	2-0-1	4,102		
	4,000K			4,769	2-0-1	4,435		
3M	60W			T2	3,000K	6,471	1-0-1	6,018
					4,000K	6,996	2-0-2	6,506
		T3	3,000K	6,524	2-0-2	6,067		
			4,000K	7,054	2-0-2	6,560		
		T4	3,000K	6,318	1-0-2	5,876		
			4,000K	6,831	1-0-2	6,353		
		T5	3,000K	6,598	3-0-1	6,136		
			4,000K	7,134	3-0-1	6,635		
		4M	79W	T2	3,000K	8,503	2-0-2	7,908
					4,000K	9,374	2-0-2	8,718
T3	3,000K			8,570	2-0-2	7,970		
	4,000K			9,193	2-0-2	8,549		
T4	3,000K			8,302	2-0-2	7,721		
	4,000K			8,976	2-0-2	8,616		
T5	3,000K			8,350	3-0-1	7,766		
	4,000K			8,976	3-0-1	8,348		

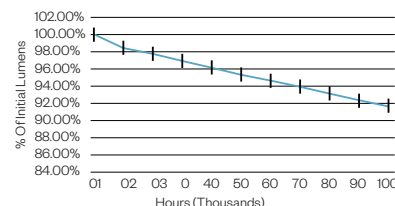
\* Approximate lumens delivered from raw light engine.

**Lumen Maintenance**

Ambient Temp	50,000 Hours*	70,000 Hours*	90,000 Hours*	100,000 Hours*	Theoretical L70 Hours
25°C	>95.4%	>93.9%	>92.4%	>91.6%	>200,000

\* Per IESNA TM-21 data

Lumen maintenance values apply to all output levels and distributions.



# COACH STYLE LANTERN

Post-Top Mount



Coach Style Lantern - Post Top (CSL-P)

**PROJECT:**

**TYPE:**

**Standard and Optional Lens Offering**



An open cage with no lens is standard.



A textured acrylic lens is optional. Specify (TA) when ordering. Not approved for IDA Dark Sky.



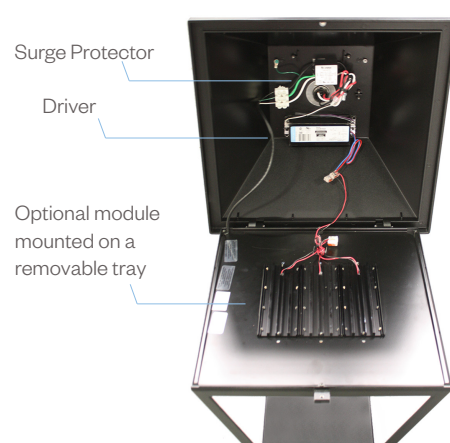
**Installation Access**

The CSL luminaire comes fully wired and ready for a simple installation. The terminal block is located below a tool-less access plate in the base of the luminaire.



**Maintenance Access**

Although not required for installation, all components are easily accessed below a hinged roof for maintenance, if required.



Surge Protector

Driver

Optional module mounted on a removable tray

# COACH STYLE LANTERN

Post-Top Mount



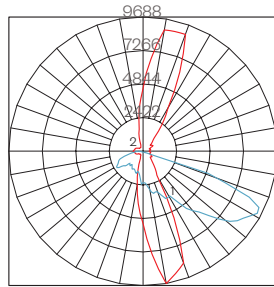
Coach Style Lantern - Post Top (CSL-P)

**PROJECT:**

**TYPE:**

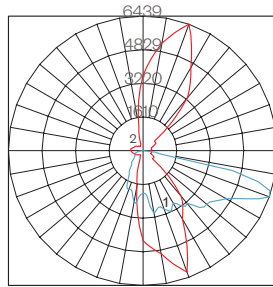
### Performance Chart

#### CSL-P-4M-T2-4K



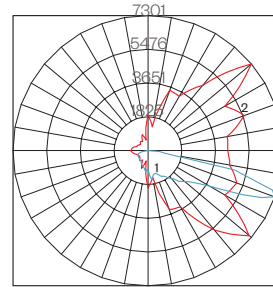
Maximum Candela = 9688  
Located At Horizontal Angle = 290, Vertical Angle = 62.5  
#1 - Vertical Plane Through Horizontal Angles (290-100)\*  
#2 - Horizontal Cone Through Vertical Angle (62.5)\*  
\* Through Max. Cd.

#### CSL-P-4M-T3-4K



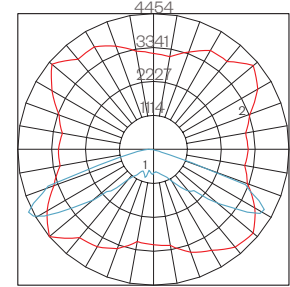
Maximum Candela = 6439  
Located At Horizontal Angle = 70, Vertical Angle = 70  
#1 - Vertical Plane Through Horizontal Angles (70-250)\*  
#2 - Horizontal Cone Through Vertical Angle (70)\*  
\* Through Max. Cd.

#### CSL-P-4M-T4-4K



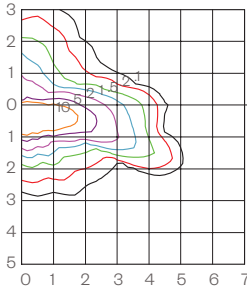
Maximum Candela = 7301  
Located At Horizontal Angle = 40, Vertical Angle = 70  
#1 - Vertical Plane Through Horizontal Angles (40-220)\*  
#2 - Horizontal Cone Through Vertical Angle (70)\*  
\* Through Max. Cd.

#### CSL-P-4M-T5-4K



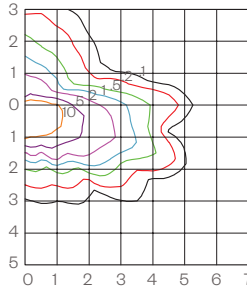
Maximum Candela = 4454  
Located At Horizontal Angle = 220, Vertical Angle = 62.5  
#1 - Vertical Plane Through Horizontal Angles (220-40)\*  
#2 - Horizontal Cone Through Vertical Angle (62.5)\*  
\* Through Max. Cd.

#### ISOFOOTCANDLE LINES OF HORIZONTAL ILLUMINANCE



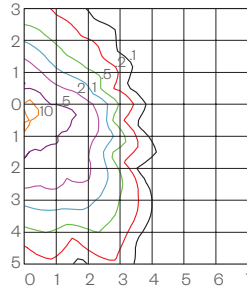
Distance in Units of Mounting Height

#### ISOFOOTCANDLE LINES OF HORIZONTAL ILLUMINANCE



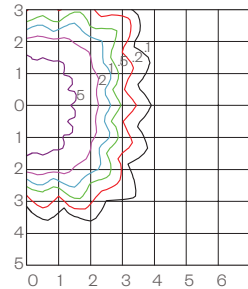
Distance in Units of Mounting Height

#### ISOFOOTCANDLE LINES OF HORIZONTAL ILLUMINANCE



Distance in Units of Mounting Height

#### ISOFOOTCANDLE LINES OF HORIZONTAL ILLUMINANCE

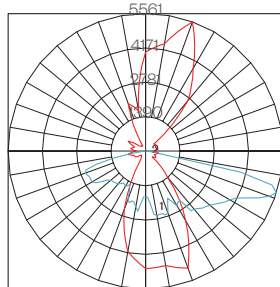


Distance in Units of Mounting Height

### Customizable Performance

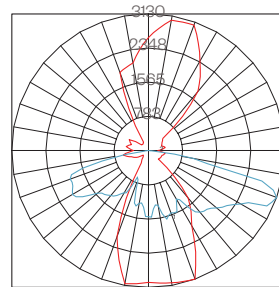
Photometry can be modified using different drive currents and a combination of lenses. Consult factory. See examples below.

#### CSL-P-4M-T3ST2H-4K-580M



Maximum Candela = 5561  
Located At Horizontal Angle = 70, Vertical Angle = 72.5  
#1 - Vertical Plane Through Horizontal Angles (70-250)\*  
#2 - Horizontal Cone Through Vertical Angle (72.5)\*  
\* Through Max. Cd.

#### CSL-P-4M-T3ST2H-4K-470M



Maximum Candela = 3130  
Located At Horizontal Angle = 290, Vertical Angle = 70  
#1 - Vertical Plane Through Horizontal Angles (290-100)\*  
#2 - Horizontal Cone Through Vertical Angle (70)\*  
\* Through Max. Cd.

### Backlight Shield

Shield can be easily installed in the field when required.



# APQ90 Series



APQ 90 Series

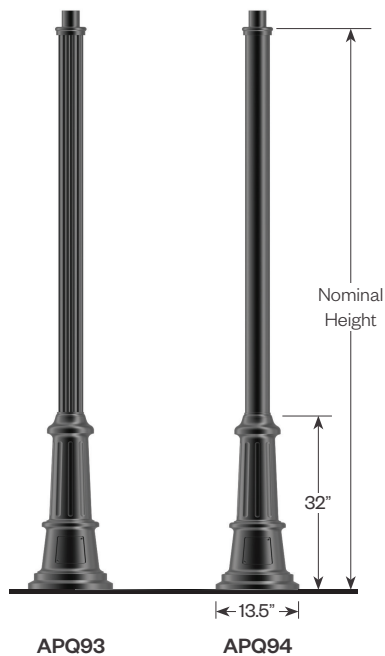
### Features

- Strong, lightweight and easy to install
- Extruded aluminum shaft welded to a decorative cast aluminum base
- 3" O.D. x 3" tall tenon included for luminaire mounting
- Access door for wiring secured with stainless steel screws
- Ground lug included inside base
- Durable powder coat finish



### PROJECT:

### TYPE:



### Materials:

- Base - Cast aluminum (A356)
- Shaft - Extruded Aluminum (6061-T6)
- Tenon - Cast Aluminum (A356)
- Anchor Bolts - Hot dipped galvanized
- Hardware - Stainless Steel

### Finish:

The post will be finished with an electrostatically applied polyester powder coat suitable for exterior use. The poles are pretreated using industry standard environmentally responsible processes for a long lasting and durable finish.

### Anchorage:

- 1/2" x 18" x 3" Hot-dipped galvanized steel L-type anchor bolts (ordered separately)



See pg 3 for more details.



# APQ90 Series



APQ 90 Series

**PROJECT:**

**TYPE:**

**Pole Ordering Information**



- 1 Model**  
APQ93 - 4" O.D. fluted pole, 0.125 wall  
**APQ94 - 4" O.D. smooth pole, 0.125 wall**

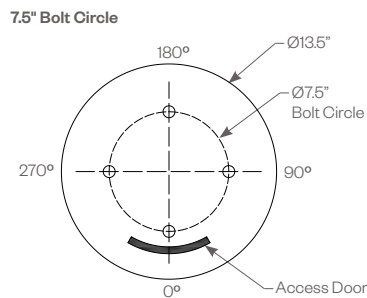
- 2 Pole Height** (nominal-actual)  
08 - 7'-8"  
**10 - 9'-8"**  
12 - 11'-8"  
14 - 13'-8"

- 3 Finish**  
BLK - satin black  
CLB - classic bronze  
GRN - green  
**TBK - textured black**

- 4 Option**  
(3" OD x 3" tall tenon is standard)  
LT - less tenon  
GFCI-TOP - ground fault circuit protected outlet, placed 6" from the top of pole  
GFCI-BTM - ground fault circuit protected outlet, placed 6" above the base

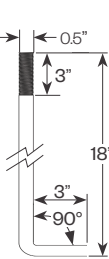
**Anchor Bolt Ordering Information** (Ordered separately, can be pre-shipped upon request)

- 1 Model**  
**APQ90-555-0004 - 1/2" x 18" anchor bolts**



Anchor bolts and templates can be requested prior to product shipment.

**Anchor Details**



- (4) 1/2" Galvanized Steel L-Type Anchor Bolts
- (8) 1/2" Galvanized Steel Hex Nuts
- (8) Galvanized Steel Flat Washers

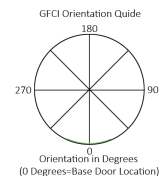
Anchor bolts are accessed by removing the base door



**Accessories**

**GFCI** - provision for Ground Fault Circuit Interrupter outlet with NEC required wet location while in use type cover (WIUC). The cover is made of die-cast aluminum and will be painted to match.

**GFCI ORIENTATION** is stated as degrees from access door and GFCI Placement on shaft must be specified in ordering guide.  
TOP - placement will be 6" from top of pole.  
BTM - placement will be 6" above the base.



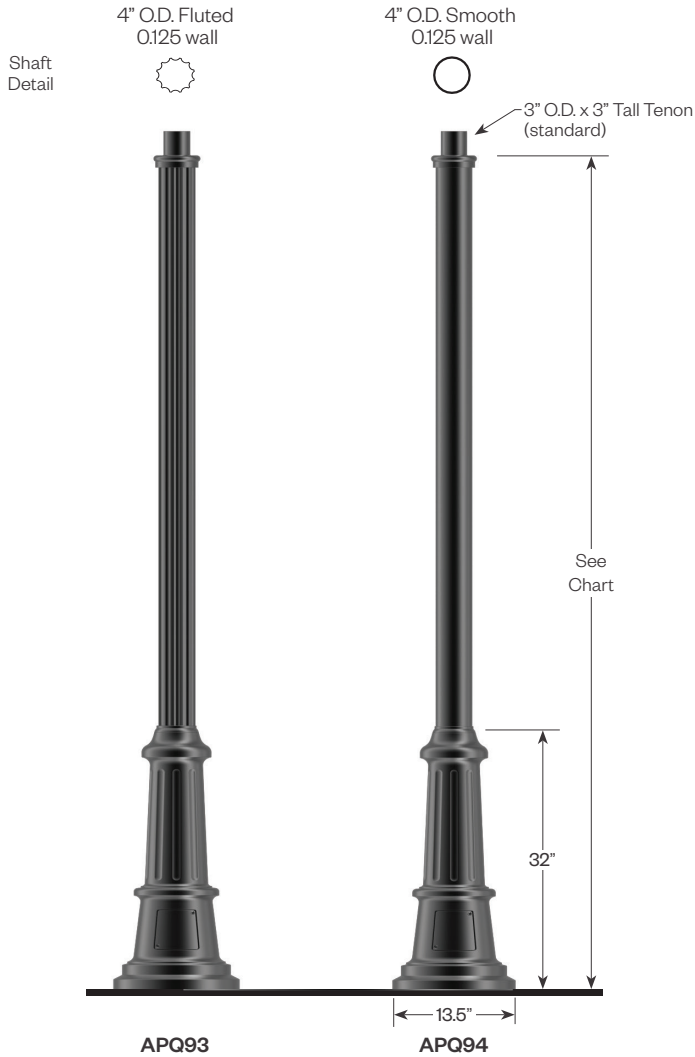
# APQ90 Series



APQ 90 Series

**PROJECT:**

**TYPE:**



APQ93-xx	APQ94-xx	Actual Height
APQ93-08	APQ94-08	7'-8"
APQ93-10	APQ94-10	9'-8"
APQ93-12	APQ94-12	11'-8"
APQ93-14	APQ94-14	13'-8"