

Walpole Fire Truck

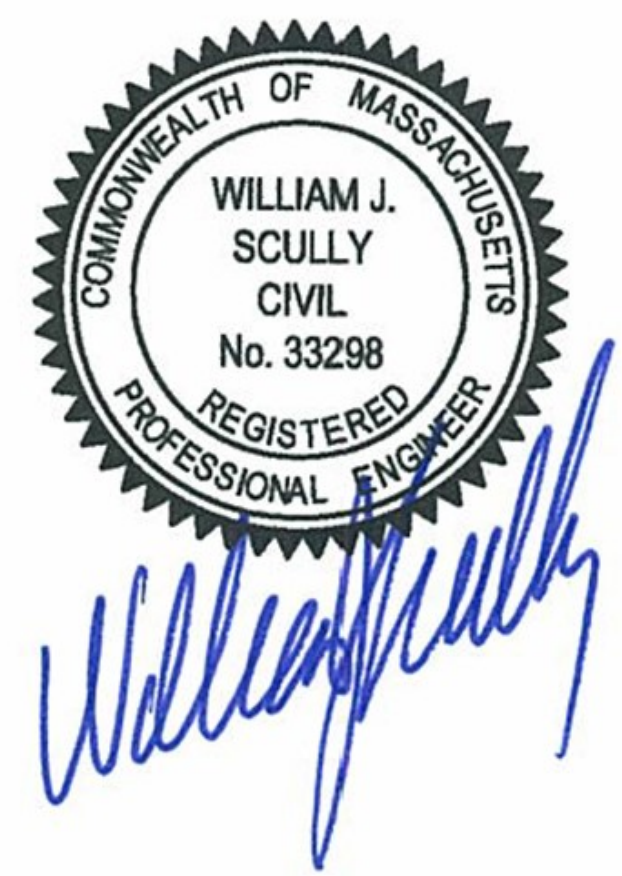
feet

Width : 8.33

Track : 8.33

Lock to Lock Time : 6.0

Steering Angle : 42.0



TURNING MOMENTS LEGEND:

— TIRE LINES

— FRONT BUMPER LINES

Plotted By: Graham, Payton. Sheet: Sct-Kim. Layout: Autoturn.dwg. Date: 04/08/2024. 05:15:45pm. K:\BOS_TPTO\112614000_Walpole_Vill St Village at Burns\CAD\NEW_CAD\CAD\Autoturn.dwg
 This document, together with the concepts and designs presented herein, is intended only for the specific purpose and client for which it was prepared. Reuse of and improper reliance on this document without written authorization and adaptation by Kimley-Horn and Associates, Inc. shall be without liability to Kimley-Horn and Associates, Inc.

No.	REVISIONS	DATE	BY

Kimley & Horn

© 2024 KIMLEY-HORN AND ASSOCIATES, INC.
 271 WAVERLEY OAKS ROAD, SUITE 302, WALTHAM, MA 02452
 PHONE: 781-328-0676
 WWW.KIMLEY-HORN.COM

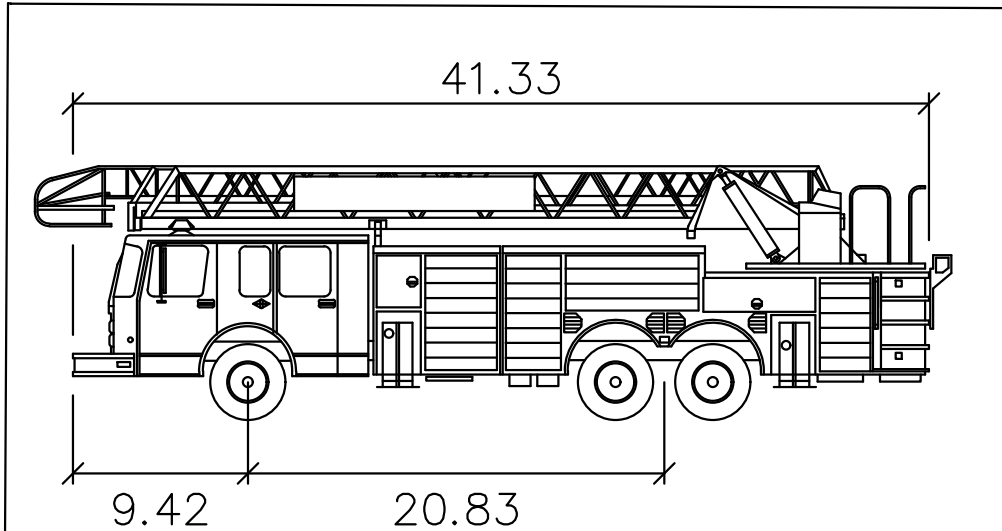
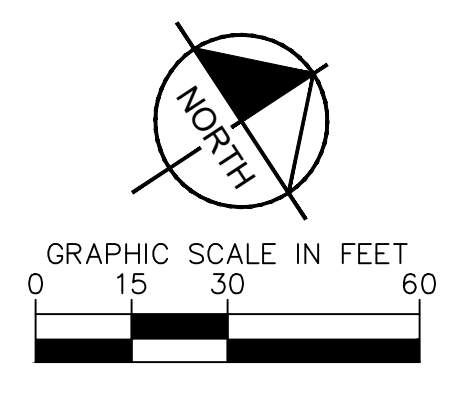
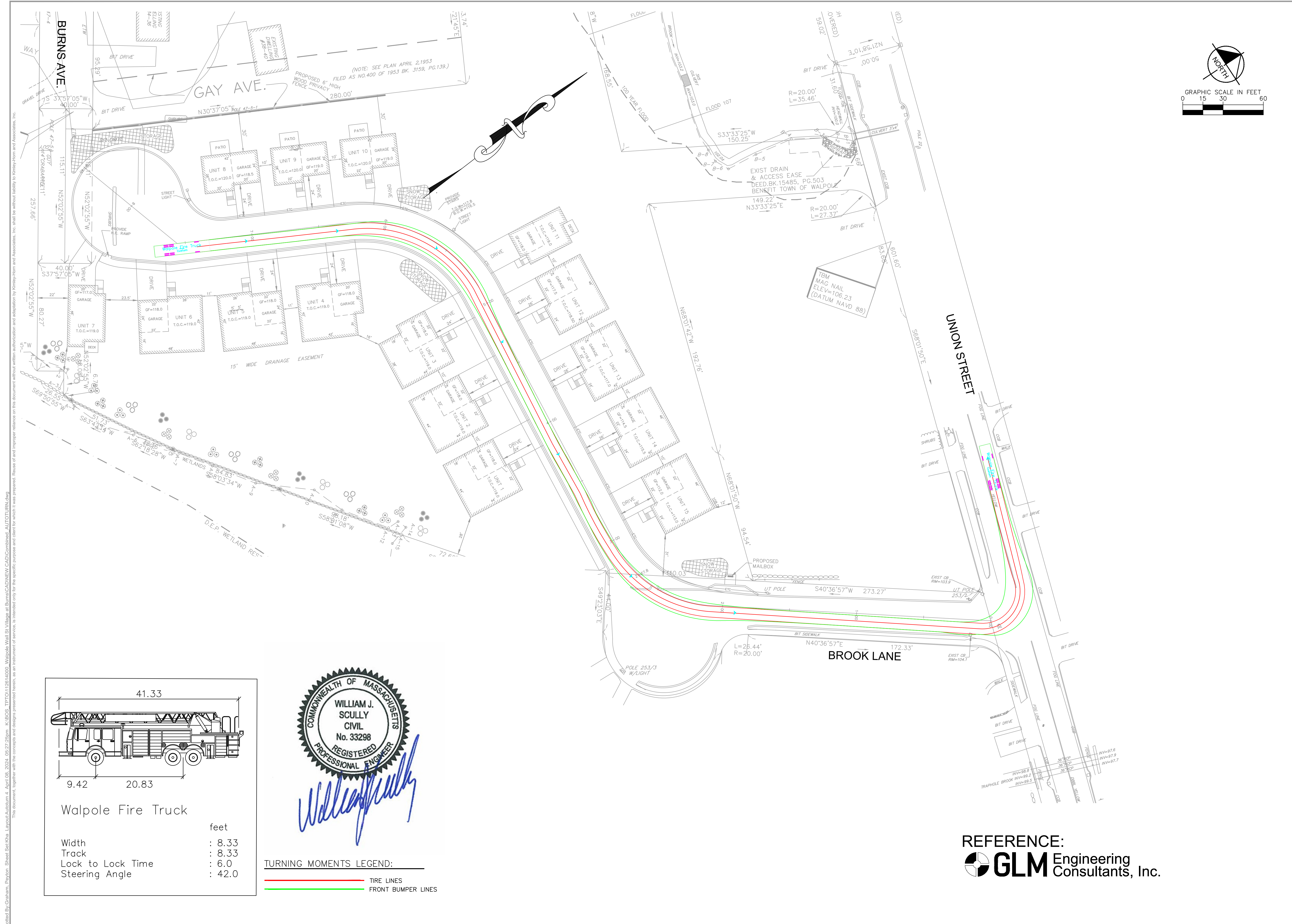
KHA PROJECT	DATE	SCALE	DESIGNED BY	DRAWN BY	CHECKED BY	SP	WS
112614000	04/08/2024	AS SHOWN					

**AUTOTURN
 FIRE TRUCK PATH
 RIGHT-TURN ONTO
 UNION STREET**

UNION SQUARE VILLAGE
 PREPARED FOR
 WALLSTREET DEVELOPMENT CORP.
 P.O. BOX 272
 WESTWOOD, MA 02090

MASSACHUSETTS

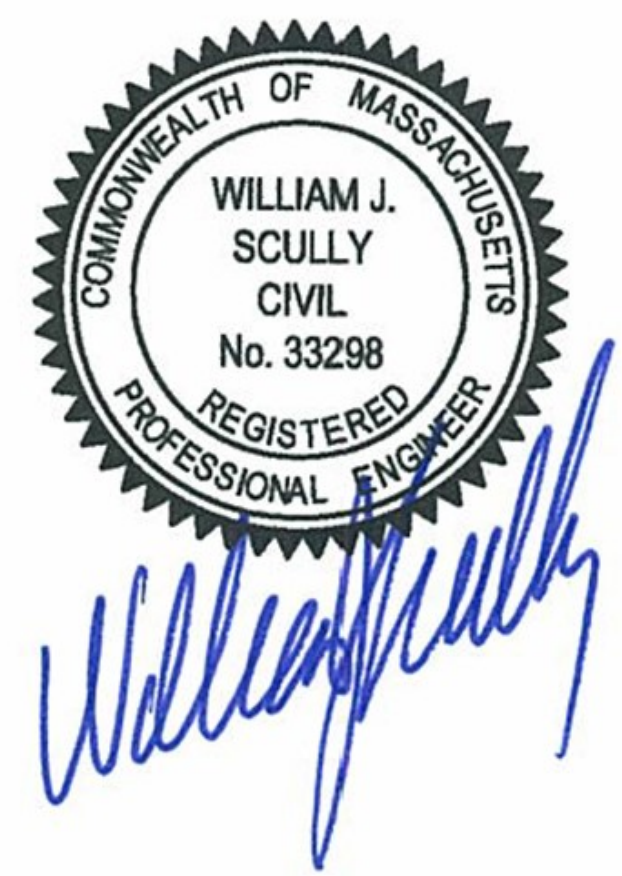
REFERENCE:
GLM Engineering
 Consultants, Inc.



Walpole Fire Truck

feet

Width : 8.33
 Track : 8.33
 Lock to Lock Time : 6.0
 Steering Angle : 42.0



TURNING MOMENTS LEGEND:

— TIRE LINES
 — FRONT BUMPER LINES

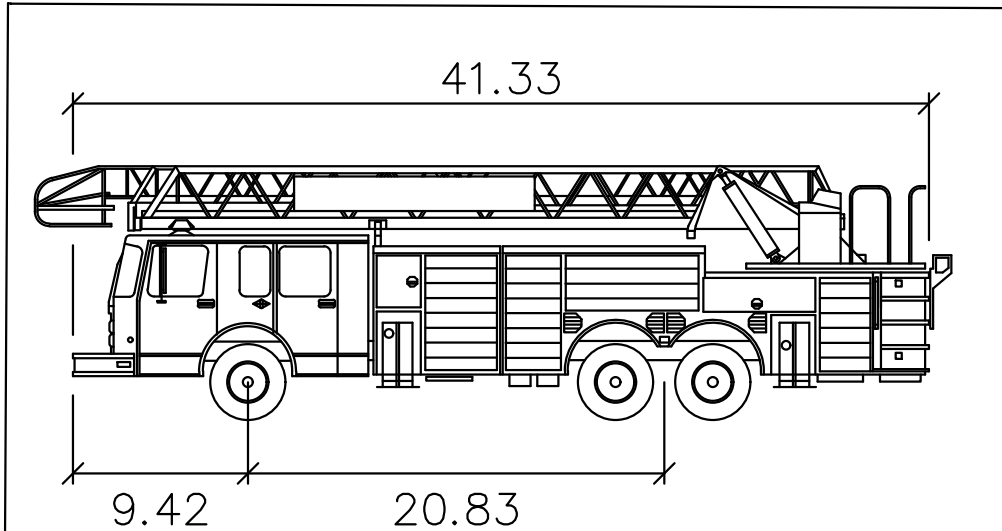
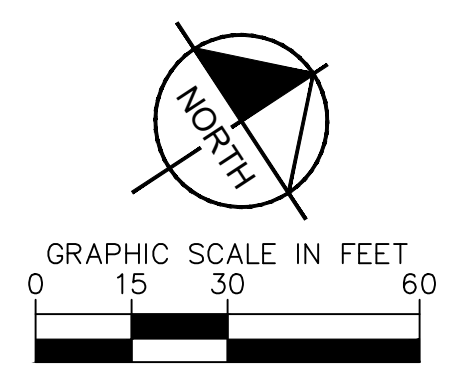
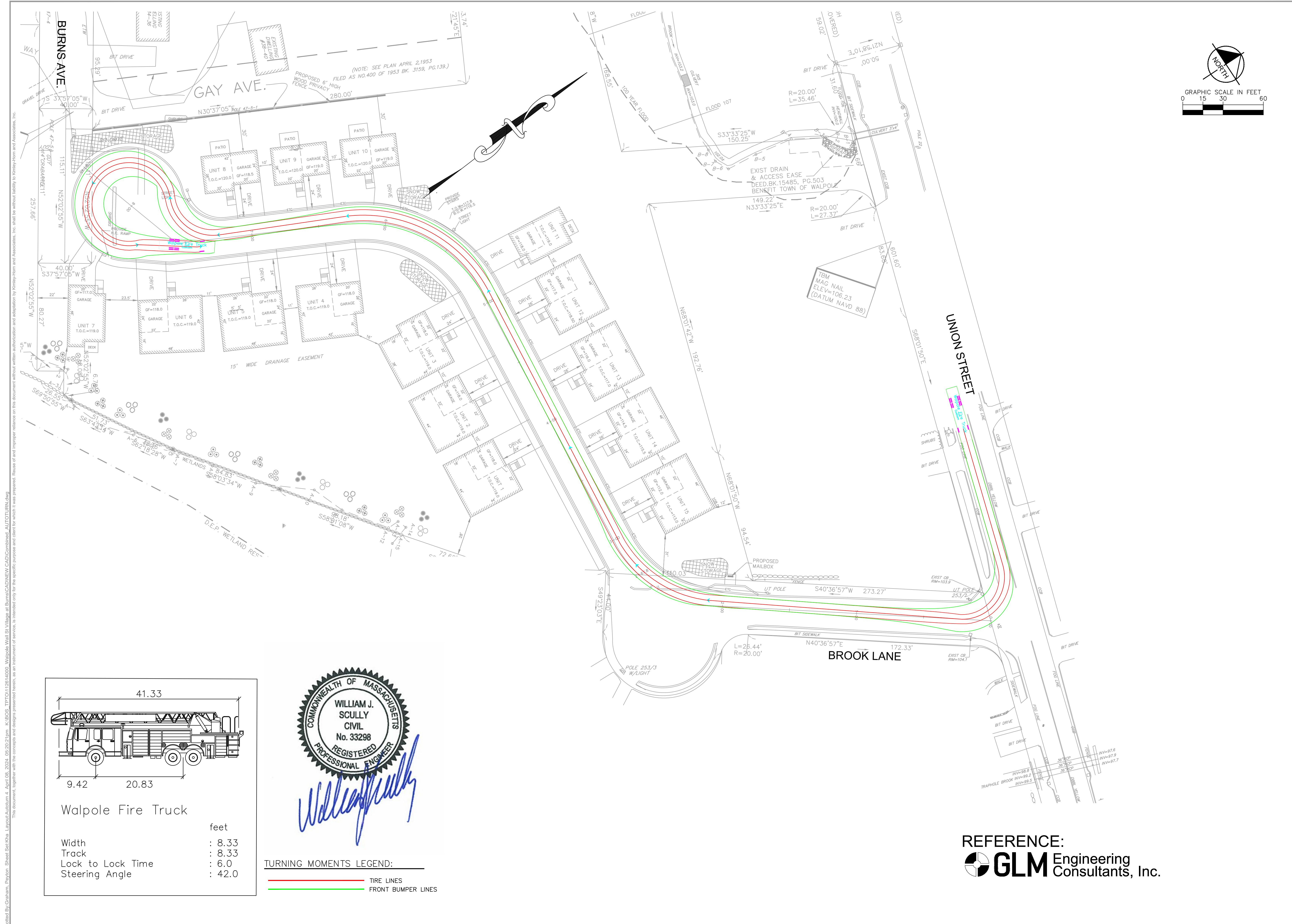
REFERENCE:
GLM Engineering
 Consultants, Inc.

Plotted By: Graham, Payson. Sheet: Sct-Kim. Layout: Autoturn.dwg. Date: 04/08/2024. 09:27:25pm. K:\BOS_TPTO\112614000_Walpole_Vill St Village at Burns\CAD\NEW CAD\Combined AUTOTURN.dwg
 This document, together with the concepts and designs presented herein, is intended only for the specific purpose and client for which it was prepared. Reuse of and improper reliance on this document without written authorization and adaptation by Kimley-Horn and Associates, Inc. shall be without liability to Kimley-Horn and Associates, Inc.

KIMLEY-HORN PROJECT		112614000	
DATE		04/08/2024	
SCALE		AS SHOWN	
DESIGNED BY		SP	
DRAWN BY		WS	
CHECKED BY		WS	
AUTOTURN FIRE TRUCK PATH LEFT-TURN ONTO UNION STREET			
UNION SQUARE VILLAGE PREPARED FOR WALLSTREET DEVELOPMENT CORP. P.O. BOX 272 WESTWOOD, MA 02090		MASSACHUSETTS	
SHEET NUMBER		2	
REVISIONS		DATE	
No.			
BY			

Kimley-Horn

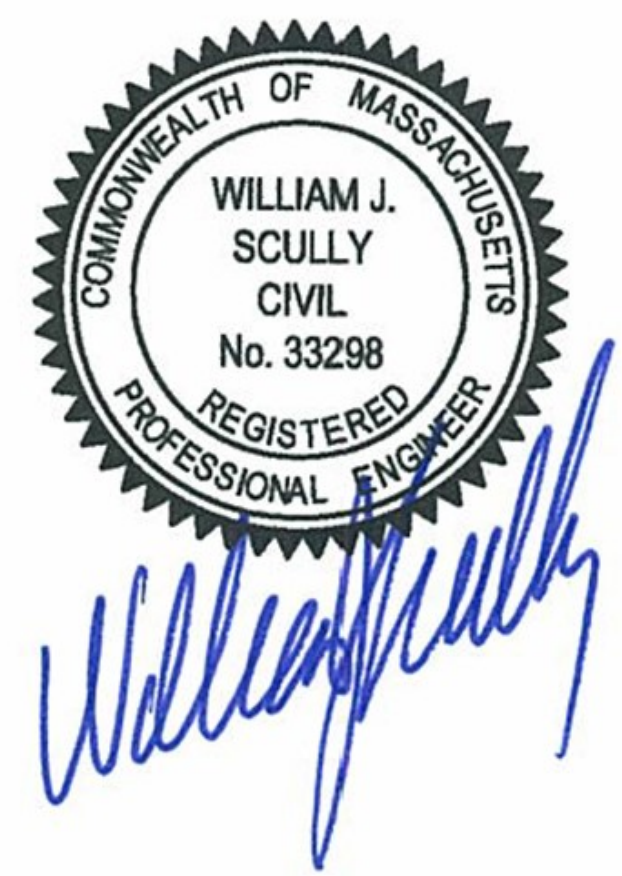
© 2024 KIMLEY-HORN AND ASSOCIATES, INC.
 271 WAVERLEY OAKS ROAD, SUITE 302, WALTHAM, MA 02452
 PHONE: 781-328-0676
 WWW.KIMLEY-HORN.COM



Walpole Fire Truck

feet

Width : 8.33
 Track : 8.33
 Lock to Lock Time : 6.0
 Steering Angle : 42.0



TURNING MOMENTS LEGEND:

— TIRE LINES
 — FRONT BUMPER LINES

No.	REVISIONS	DATE	BY

Kimley **Horn**

© 2024 KIMLEY-HORN AND ASSOCIATES, INC.
 271 WAVERLEY OAKS ROAD, SUITE 302, WALTHAM, MA 02452
 PHONE: 781-328-0676
 WWW.KIMLEY-HORN.COM

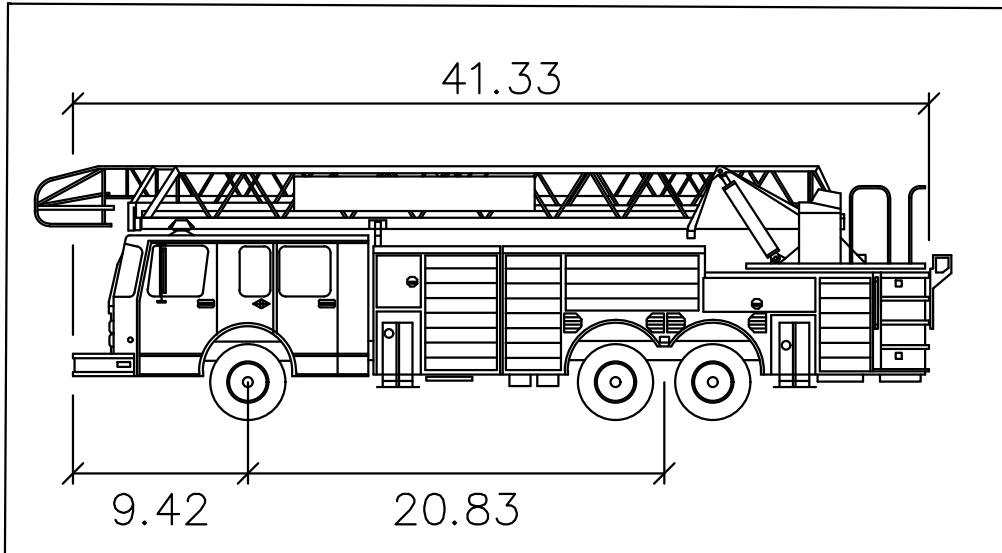
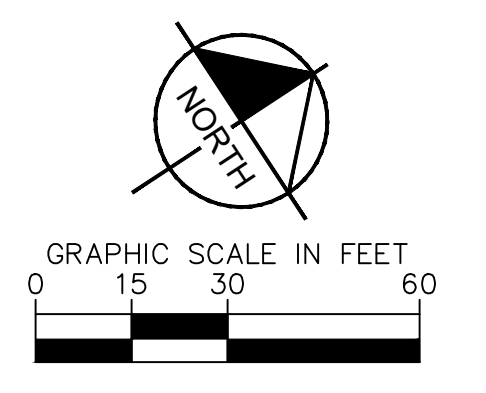
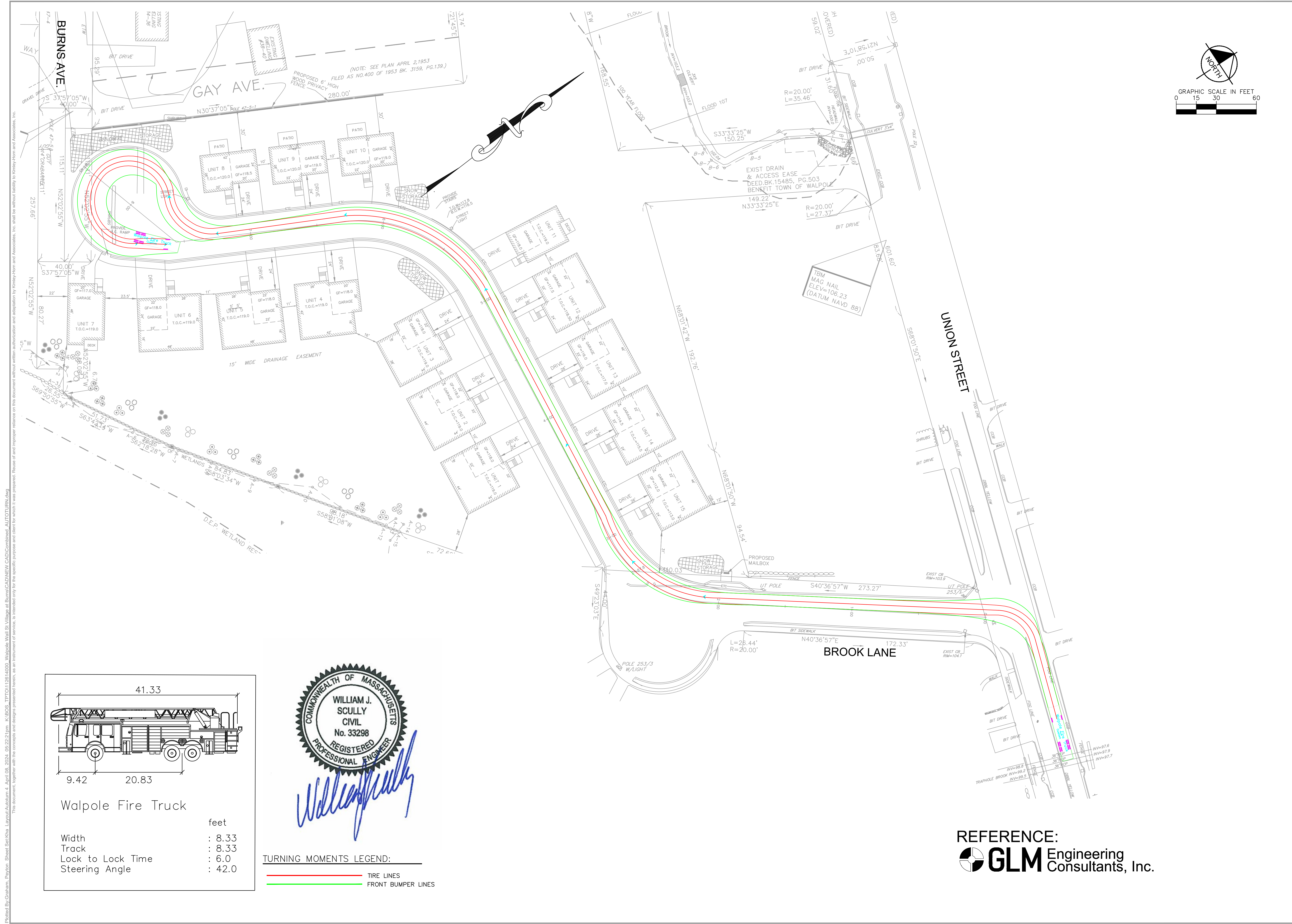
KHA PROJECT	DATE	SCALE	DESIGNED BY	DRAWN BY	SP	W/S	CHECKED BY
112614000	04/08/2024	AS SHOWN					

**AUTOTURN
 FIRE TRUCK PATH
 RIGHT-TURN ONTO
 BROOK LANE**

UNION SQUARE VILLAGE
 PREPARED FOR
 WALLSTREET DEVELOPMENT CORP.
 P.O. BOX 272
 WESTWOOD, MA 02090
 MASSACHUSETTS

REFERENCE:
GLM Engineering
 Consultants, Inc.

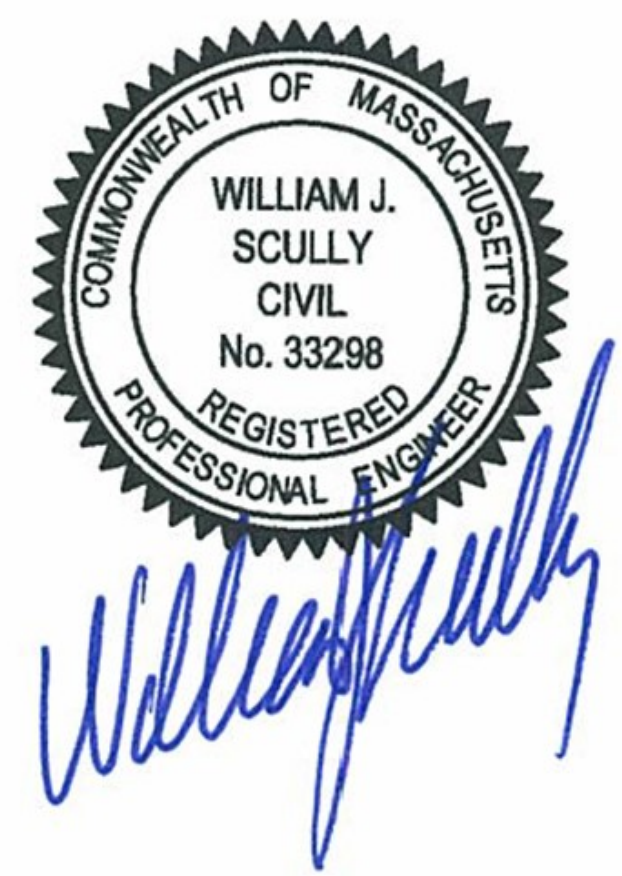
Plotted By: Graham, Payton. Sheet: Sct-Kha. Layout: Autoturn. 4 April 08, 2024. 09:20:21pm. K:\BOS_TPTO\112614000_Walpole_Vill St Village at Burns\CAD\NEW CAD\Combined AUTOTURN.dwg
 This document, together with the concepts and designs presented herein, is intended only for the specific purpose and client for which it was prepared. Reuse of and improper reliance on this document without written authorization and adaptation by Kimley-Horn and Associates, Inc. shall be without liability to Kimley-Horn and Associates, Inc.



Walpole Fire Truck

feet

Width : 8.33
 Track : 8.33
 Lock to Lock Time : 6.0
 Steering Angle : 42.0



TURNING MOMENTS LEGEND:

— TIRE LINES
 — FRONT BUMPER LINES

No.	REVISIONS	DATE	BY

Kimley **Horn**

© 2024 KIMLEY-HORN AND ASSOCIATES, INC.
 271 WAVERLEY OAKS ROAD, SUITE 302, WALTHAM, MA 02452
 PHONE: 781-328-0676
 WWW.KIMLEY-HORN.COM

KHA PROJECT	DATE	SCALE	DESIGNED BY	DRAWN BY	CHECKED BY	SP	WS
112614000	04/08/2024	AS SHOWN					

**AUTOTURN
 FIRE TRUCK PATH
 LEFT-TURN ONTO
 BROOK LANE**

UNION SQUARE VILLAGE
 PREPARED FOR
 WALLSTREET DEVELOPMENT CORP.
 P.O. BOX 272
 WESTWOOD, MA 02090

MASSACHUSETTS

REFERENCE:
GLM Engineering
 Consultants, Inc.

Plotted By: Graham, Payson. Sheet: Sct-Kha. Layout: Autoturn. 4 April 08, 2024. 09:22:21pm. K:\BOS_TPTO\112614000_Walpole_Vill St Village at Burns\CAD\NEW_CAD\Combined_AUTOTURN.dwg
 This document, together with the concepts and designs presented herein, is an instrument of service, as an instrument of service, is intended only for the specific purpose and client for which it was prepared. Reuse of and improper reliance on this document without written authorization and adaptation by Kimley-Horn and Associates, Inc. shall be without liability to Kimley-Horn and Associates, Inc.