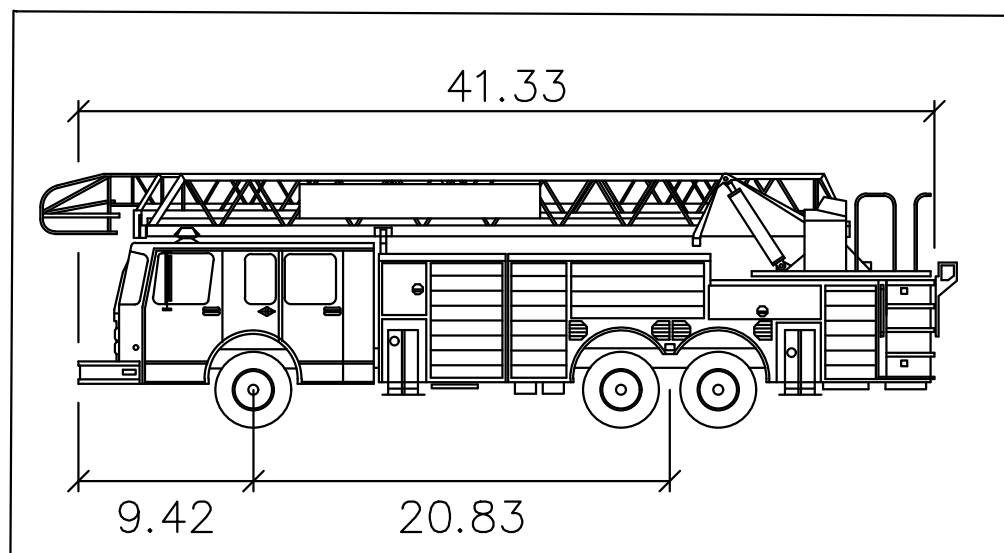
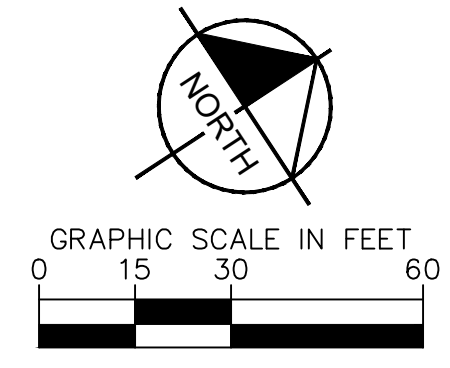
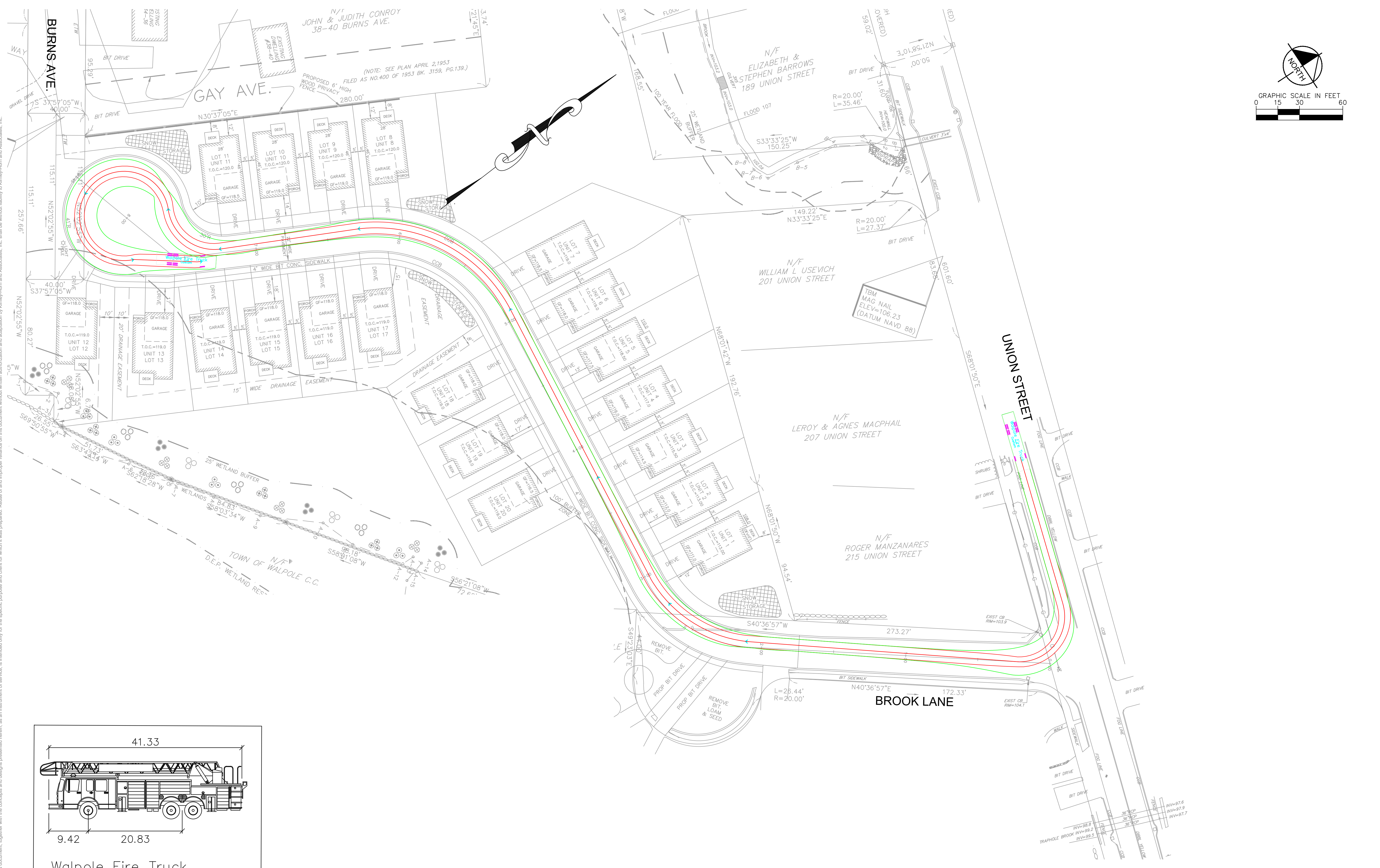


Plotted By: Poudel, Samiksha, Sheet: Sst-Kha, Layout: Autoturn 4, January 23, 2023 08:42:46pm, K:\BOS\_TPT\112614000\_Walpole West St Village at Burns\CAD\PlanSheets\Autoturn Right Turn to roundabout.dwg  
 This document, together with the concepts and designs presented herein, is intended only for the specific purpose and client for which it was prepared. Reuse of and improper reliance on this document without written authorization and adaptation by Kimley-Horn and Associates, Inc. shall be without liability to Kimley-Horn and Associates, Inc.



**Walpole Fire Truck**  
 feet  
 Width : 8.33  
 Track : 8.33  
 Lock to Lock Time : 6.0  
 Steering Angle : 42.0

**TURNING MOMENTS LEGEND:**  
— TIRE LINES  
— FRONT BUMPER LINES

**REFERENCE:**  
 **GLM** Engineering Consultants, Inc.  
**AMENDED SITE DEVELOPMENT PLAN**  
**A COMPREHENSIVE PERMIT M.G.L.c. 40B**

|  |  |   |                     |                       |
|--|--|---|---------------------|-----------------------|
|  |  |   |                     |                       |
| <b>THE RESIDENCES AT BURNS AVENUE</b>  | <b>AUTOTURN FIRE TRUCK PATH</b>  | <b>UNION ST TO BROOK LANE</b>   | <b>UNION STREET</b> | <b>BROOK LANE</b>     |
| PREPARED FOR<br>WALLSTREET DEVELOPMENT CORP.<br>P.O. BOX 272<br>WESTWOOD, MA 02090<br>MASSACHUSETTS<br>WALPOLE | KHA PROJECT<br>112614000<br>DATE<br>02/28/2022<br>SCALE<br>AS SHOWN<br>DESIGNED BY<br>DRAWN BY<br>CHECKED BY<br>BS | © 2022 KIMLEY-HORN AND ASSOCIATES, INC.<br>404 WYMAN STREET, SUITE 385, WALTHAM, MA 02451<br>PHONE: 781-328-8576<br>WWW.KIMLEY-HORN.COM | KIMLEY-HORN         | REVISIONS<br>No. DATE |
| SHEET NUMBER<br><b>4</b>   |  |   |                     |                       |