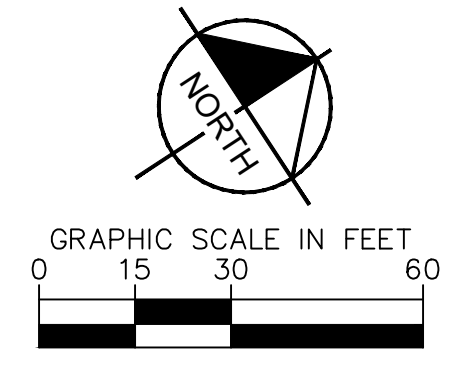
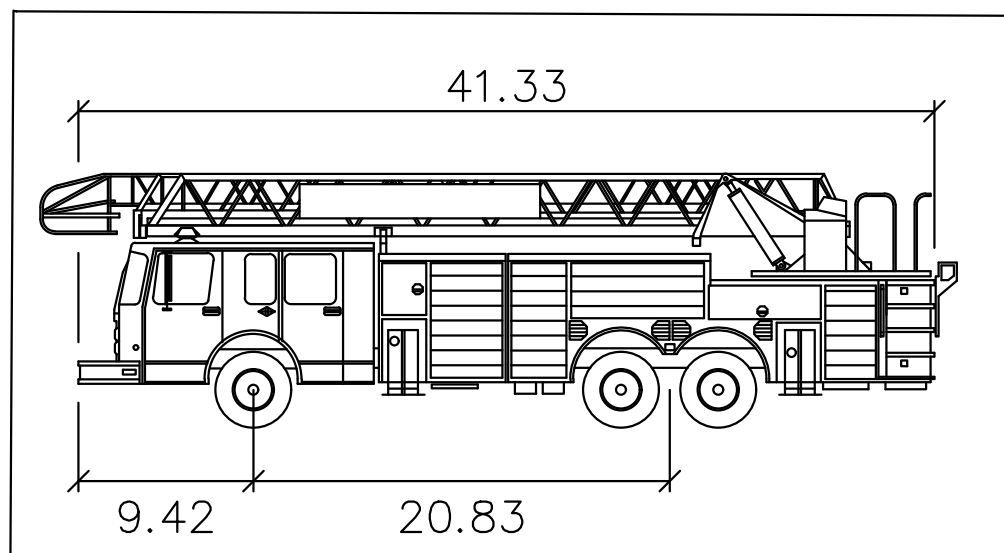


Plotted By: Poudel, Samiksha, Sheet: Sst-Kha, Layout: Autoturn.dwg, January 23, 2023 05:53:21pm, K:\BOS\_TPT\112614000\_Walpole West St Village at Burns\CAD\PlanSheets\Autoturn\_Est-Singles.dwg  
 This document, together with the concepts and designs presented herein, is intended only for the specific purpose and client for which it was prepared. Reuse of and improper reliance on this document without written authorization and adaptation by Kimley-Horn and Associates, Inc. shall be without liability to Kimley-Horn and Associates, Inc.



**SCENARIO 1**  
ENTERING FROM EAST



**Walpole Fire Truck**

	feet
Width	: 8.33
Track	: 8.33
Lock to Lock Time	: 6.0
Steering Angle	: 42.0

**TURNING MOMENTS LEGEND:**

<span style="color: red;">—</span>	TIRE LINES
<span style="color: green;">—</span>	FRONT BUMPER LINES

**REFERENCE:**  
**GLM** Engineering Consultants, Inc.  
 AMENDED SITE DEVELOPMENT PLAN  
 A COMPREHENSIVE PERMIT M.G.L.c. 40B

 <small>© 2022 KIMLEY-HORN AND ASSOCIATES, INC.        404 WYMAN STREET, SUITE 385, WALTHAM, MA 02451        PHONE: 781-328-8576        WWW.KIMLEY-HORN.COM</small>	<b>AUTOTURN</b> <b>FIRE TRUCK PATH</b> <b>UNION ST TO</b> <b>BROOK LANE</b>	<b>THE RESIDENCES AT BURNS</b> <b>AVENUE</b> PREPARED FOR WALLSTREET DEVELOPMENT CORP. P.O. BOX 272 WESTWOOD, MA 02090 MASSACHUSETTS WALPOLE
KHA PROJECT: 112614000 DATE: 02/28/2022 SCALE: AS SHOWN DESIGNED BY: [blank] DRAWN BY: SP CHECKED BY: BS	REVISIONS No. [blank] DATE [blank]	SHEET NUMBER <b>1</b>