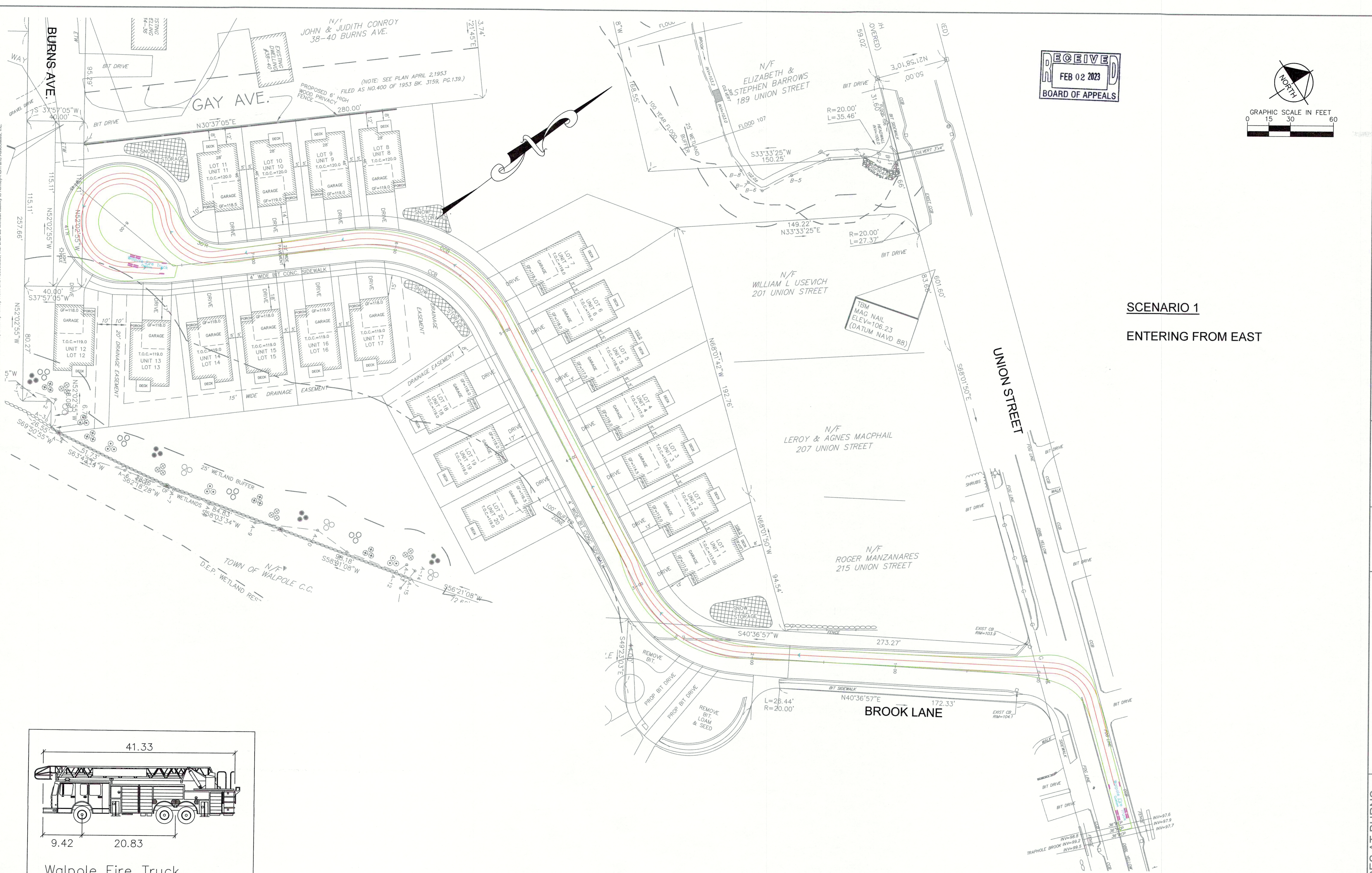
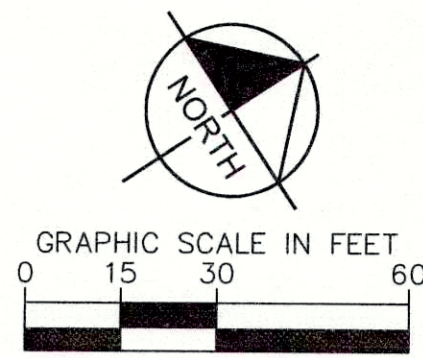


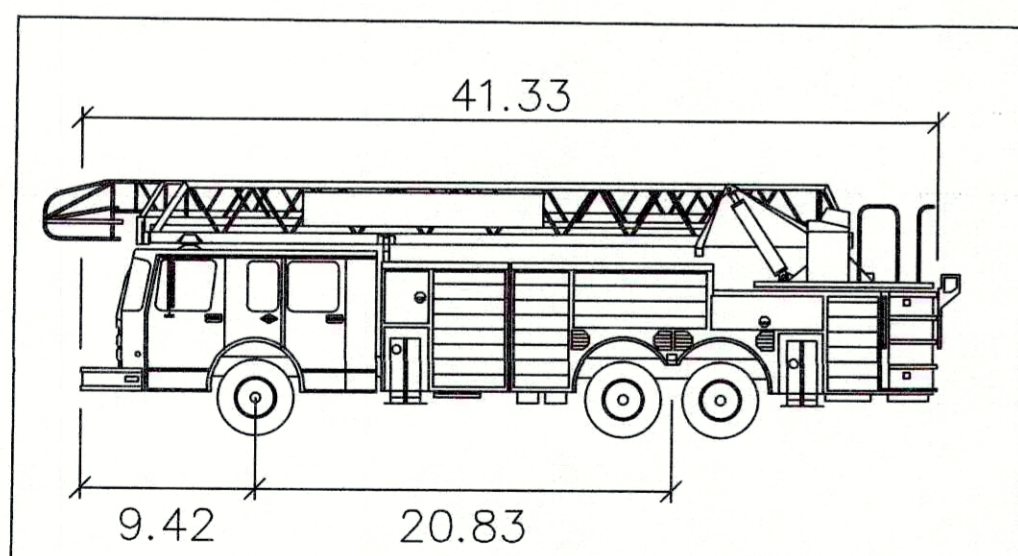
Plotted By: Poudel, Samiksha Sheet: SitePlan Layout: Autoturn 4 January 23, 2023 05:53:21pm K:\BOS TPT0112614000 Walpole Vail St Village at Burns\CAD\PlanSheets\Autoturn Ext-Singlas.dwg
 This document, together with the concepts and designs presented therein, is intended only for the specific purpose and client for which it was prepared. Reuse of and improper reliance on this document without written authorization and adaptation by Kimley-Horn and Associates, Inc. shall be without liability to Kimley-Horn and Associates, Inc.



RECEIVED
 FEB 02 2023
BOARD OF APPEALS



SCENARIO 1
ENTERING FROM EAST



Walpole Fire Truck
 feet
 Width : 8.33
 Track : 8.33
 Lock to Lock Time : 6.0
 Steering Angle : 42.0

TURNING MOMENTS LEGEND:
 TIRE LINES
 FRONT BUMPER LINES

Kimley-Horn
 © 2023 KIMLEY-HORN AND ASSOCIATES, INC.
 404 WYMAN STREET SUITE 985 WALTHAM, MA 02461
 PHONE: 781-528-0878
 WWW.KIMLEY-HORN.COM

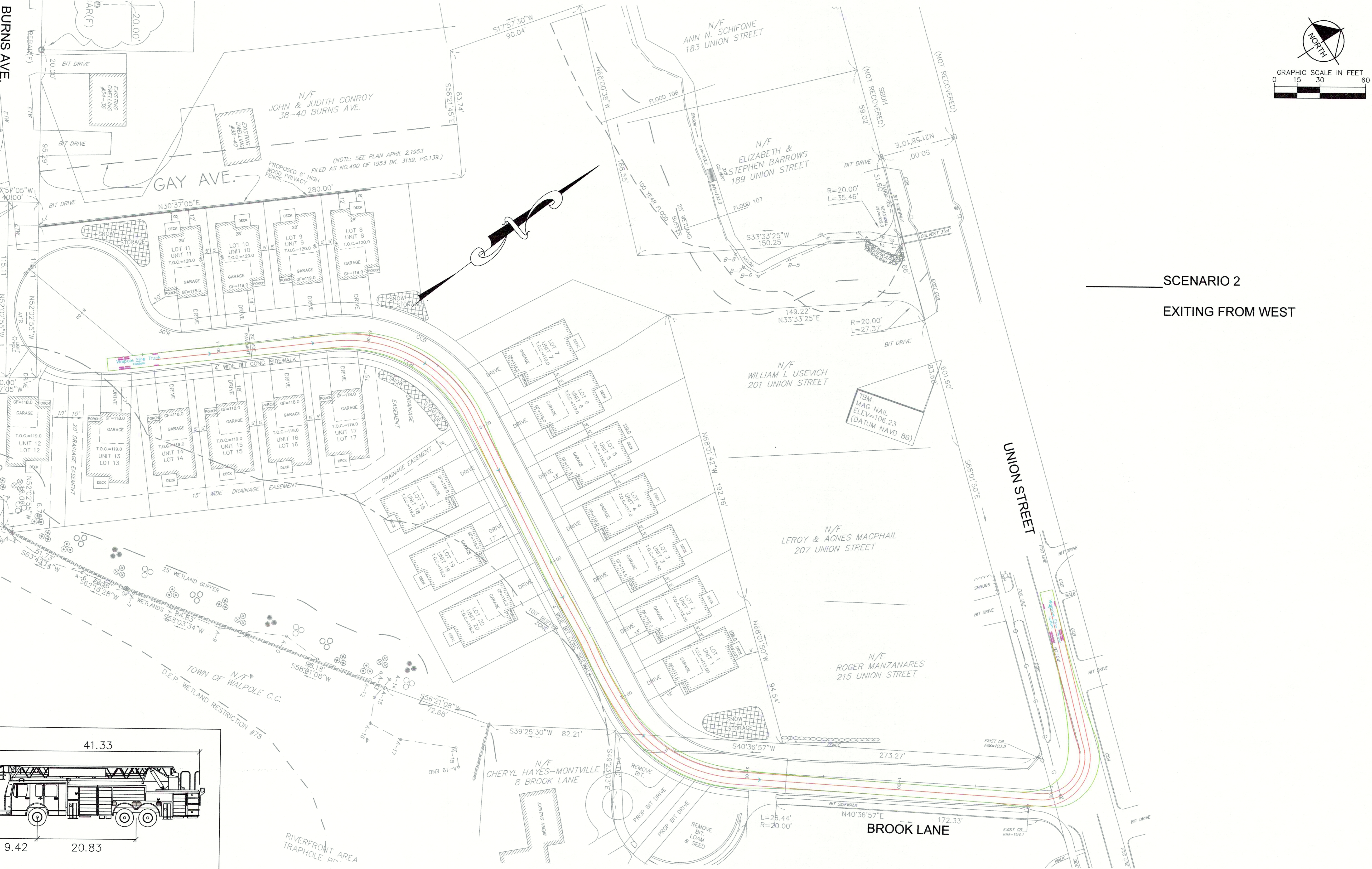
KHA PROJECT	112614000
DATE	02/28/2023
SCALE	AS SHOWN
DESIGNED BY	SP
DRAWN BY	SP
CHECKED BY	BS

AUTOTURN
FIRE TRUCK PATH
UNION ST TO
BROOK LANE

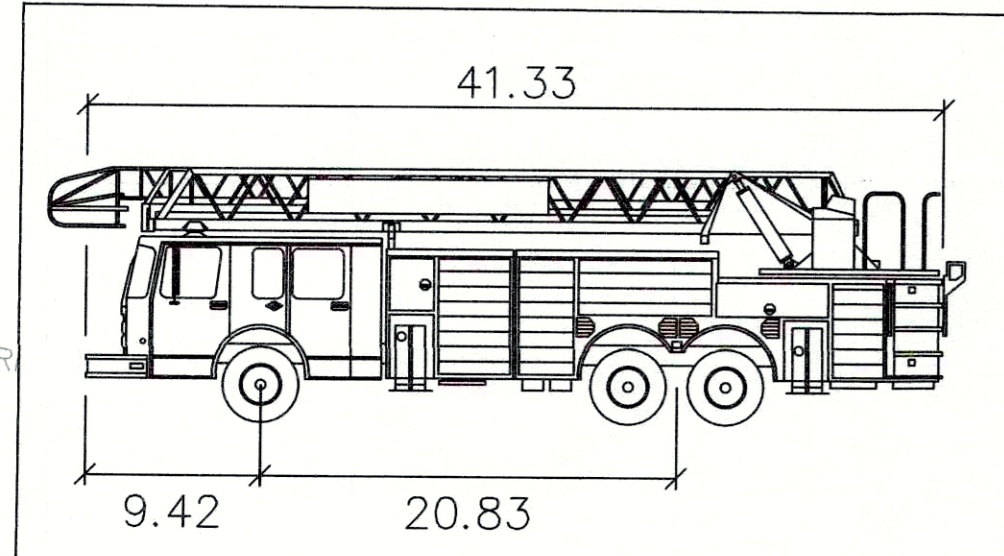
THE RESIDENCES AT BURNS
 AVENUE
 PREPARED FOR
 WALLSTREET DEVELOPMENT CORP.
 P.O. BOX 272
 WESTWOOD, MA 02090
 MASSACHUSETTS
 WALPOLE

REFERENCE:

AMENDED SITE DEVELOPMENT PLAN
A COMPREHENSIVE PERMIT M.G.L.c. 40B



SCENARIO 2
EXITING FROM WEST



Walpole Fire Truck

	feet
Width	: 8.33
Track	: 8.33
Lock to Lock Time	: 6.0
Steering Angle	: 42.0



Plotted By: Poudeh, Samiksha Sheet: Kim/Kna Layout: Autoturn 4 January 23, 2023 05:52:30pm. K:\BDS_TPT\0112614000_Walpole_Vill St Village at Burns\CAD\DrawSheets\Autoturn_Signals_Ext_Ultim St.dwg
 This document, together with the concepts and designs presented herein, is intended only for the specific purpose and client for which it was prepared. Please do not use or rely on this document without written authorization and adaptation by Kimley-Horn and Associates, Inc. shall be without liability to Kimley-Horn and Associates, Inc.

NO.	REVISIONS	DATE

Kimley-Horn

© 2022 KIMLEY-HORN AND ASSOCIATES, INC.
404 WYMAN STREET, SUITE 385, WALTHAM, MA 02451
PHONE: 781-328-0876
WWW.KIMLEY-HORN.COM

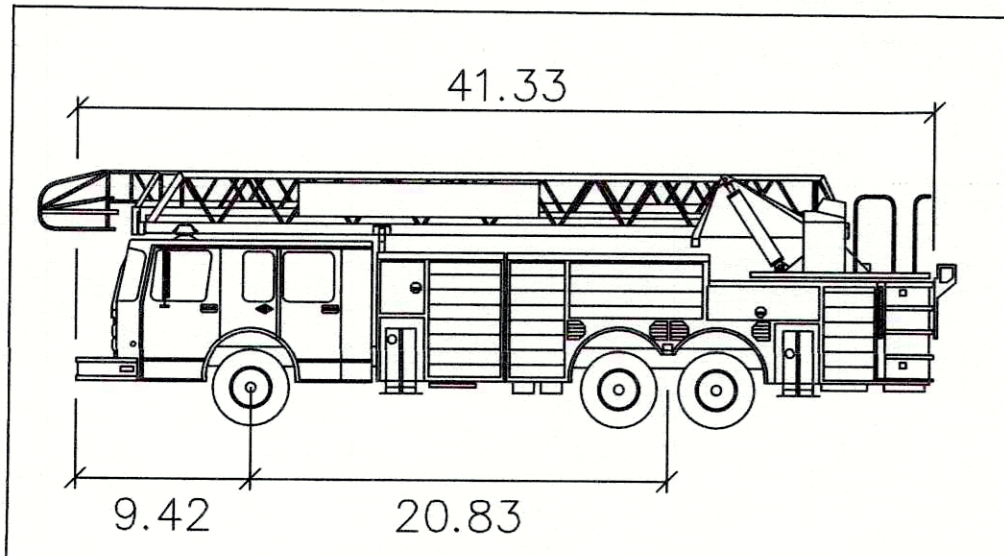
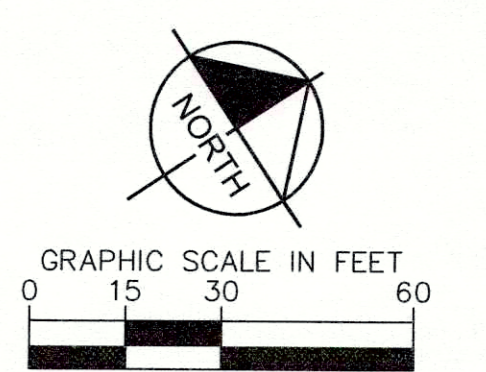
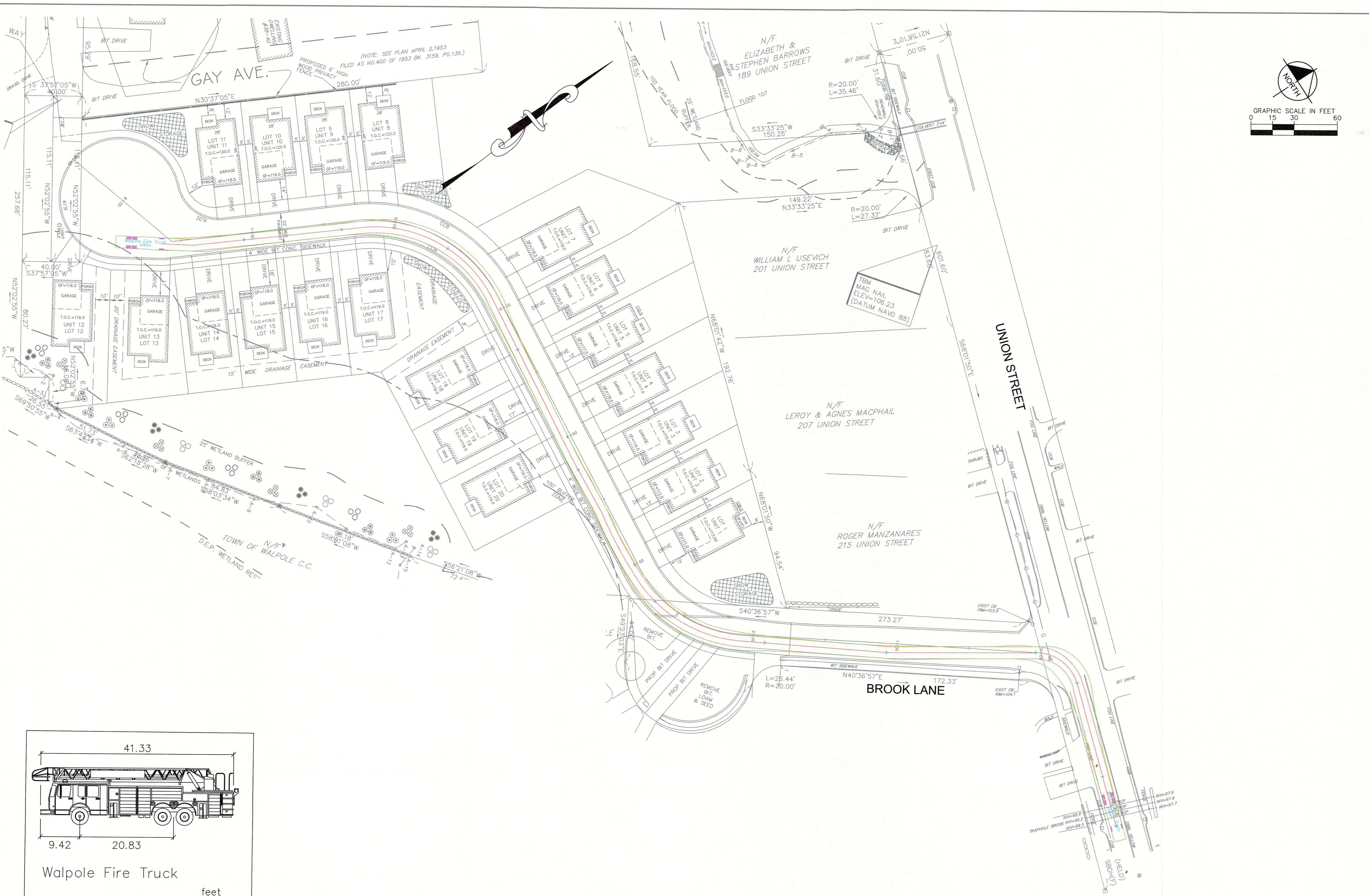
KHA PROJECT	112614000
DATE	02/28/2022
SCALE	AS SHOWN
DESIGNED BY	SP
DRAWN BY	BS
CHECKED BY	BS

**AUTOTURN
FIRE TRUCK PATH
BROOK LANE TO
UNION ST**

THE RESIDENCES AT BURNS
AVENUE
PREPARED FOR
WALLSTREET DEVELOPMENT CORP.
P.O. BOX 272
WESTWOOD, MA 02090
MASSACHUSETTS
WALPOLE

REFERENCE:
GLM Engineering
Consultants, Inc.
AMENDED SITE DEVELOPMENT PLAN
A COMPREHENSIVE PERMIT M.G.L.c. 40B

Plotted By: Poudel, Samiksha Sheet: KHA Layout: Autoturn 4 January 23, 2023 08:37:23pm K:\BOS TPT0112614000 Walpole Vail St Village at Burns\CAD\Plans\Autoturn\Shades Right Turn East Union St.dwg
 This document, together with the concepts and designs presented herein, is intended only for the specific purpose and client for which it was prepared. Release of and improper reliance on this document without written authorization and adaptation by Kimley-Horn and Associates, Inc. shall be without liability to Kimley-Horn and Associates, Inc.



Walpole Fire Truck
 feet
 Width : 8.33
 Track : 8.33
 Lock to Lock Time : 6.0
 Steering Angle : 42.0

TURNING MOMENTS LEGEND:
 TIRE LINES
 FRONT BUMPER LINES

NO.	REVISIONS	DATE

Kimley-Horn
 © 2022 KIMLEY-HORN AND ASSOCIATES, INC.
 404 WYMAN STREET, SUITE 305, WALTHAM, MA 02451
 PHONE: 781-328-0676
 WWW.KIMLEY-HORN.COM

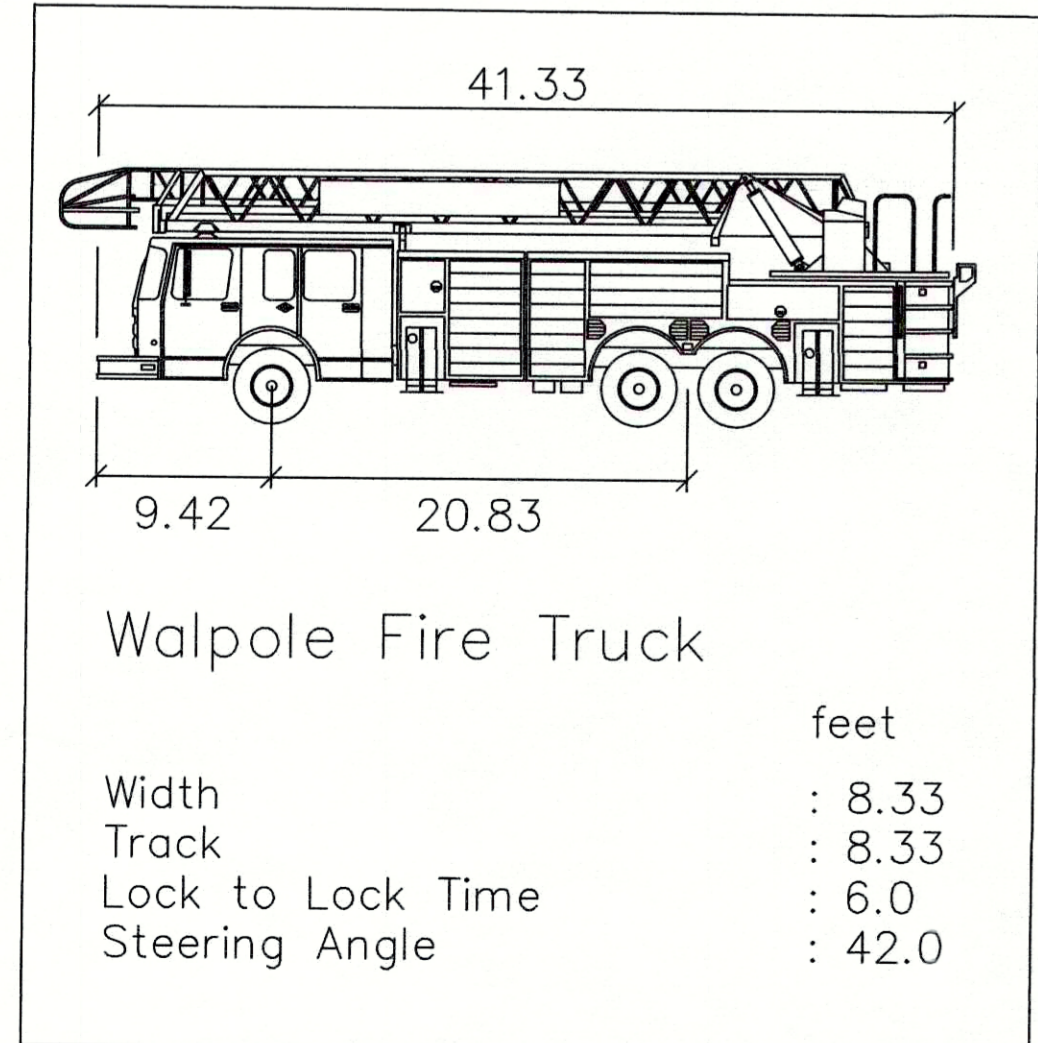
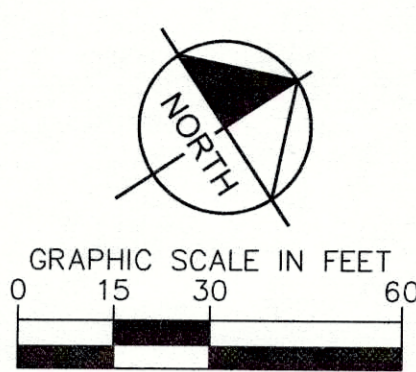
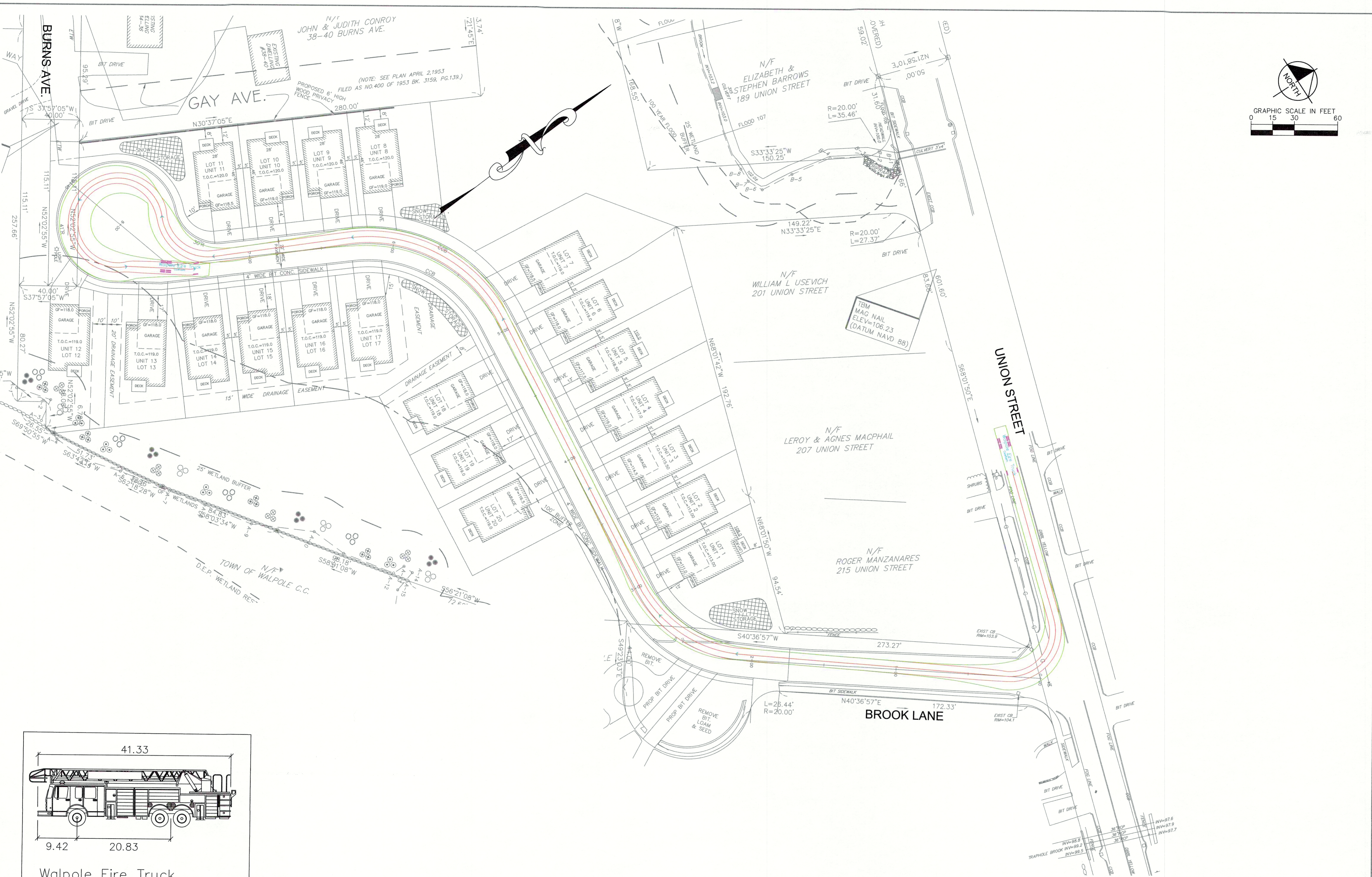
KHA PROJECT	DATE	SCALE	DESIGNED BY	DRAWN BY	CHECKED BY
112614000	02/28/2022	AS SHOWN			

**AUTOTURN
 FIRE TRUCK PATH
 BROOK LANE TO
 UNION ST**

THE RESIDENCES AT BURNS
 AVENUE
 PREPARED FOR
 WALLSTREET DEVELOPMENT CORP.
 P.O. BOX 272
 WESTWOOD, MA 02090
 MASSACHUSETTS
 WALPOLE

REFERENCE:
GLM Engineering Consultants, Inc.
AMENDED SITE DEVELOPMENT PLAN
A COMPREHENSIVE PERMIT M.G.L.c. 40B

Printed By: Poudel, Samiksha Sheet: Srv-Kha Layout: Autoturn 4 January 23, 2023 08:42:45am K:\BOS TPTD112614000 Walpole Vail St Village at Burns\CAD\PlanSheets\Autoturn Right Turn to Brookside.dwg
 This document, together with the concepts and designs presented herein, is an instrument of service, is intended only for the specific purpose and client for which it was prepared. Reuse of and improper reliance on this document without written authorization and adaptation by Kimley-Horn and Associates, Inc. shall be without liability to Kimley-Horn and Associates, Inc.



		© 2022 KIMLEY-HORN AND ASSOCIATES, INC. 404 WYMAN STREET, SUITE 305, WALTHAM, MA 02461 PHONE: 781-328-0576 WWW.KIMLEY-HORN.COM	
KHA PROJECT 112614000	DATE 02/28/2022	SCALE AS SHOWN	DESIGNED BY SP
AUTOTURN FIRE TRUCK PATH UNION ST TO BROOK LANE		DRAWN BY BS	CHECKED BY BS
THE RESIDENCES AT BURNS AVENUE PREPARED FOR WALL STREET DEVELOPMENT CORP. P.O. BOX 272 WESTWOOD, MA 02090 MASSACHUSETTS		REFERENCE: GLM Engineering Consultants, Inc. AMENDED SITE DEVELOPMENT PLAN A COMPREHENSIVE PERMIT M.G.L.c. 40B	
SHEET NUMBER 4		REVISIONS No.	DATE BY